

CDP-597

SERVICE MANUAL

*US Model
AEP Model
UK Model*



Model Name Using Similar Mechanism	NEW
CD Mechanism Type	CDM14-5BD8A
Optical Pick-Up Block Type	BU-5BD8A

SPECIFICATIONS

Compact disc player

Frequency response	2 Hz – 20 kHz \pm 0.5 dB
Signal to noise ratio	More than 105 dB
Dynamic range	More than 98 dB
Harmonic distortion	Less than 0.003%
Channel separation	More than 102 dB

Outputs

LINE OUT (FIXED) (phono jacks)	Output level 2 V (at 50 kilohms) Load impedance over 10 kilohms
LINE OUT (VARIABLE) (phono jacks)	Output level max. 2 V (at 50 kilohms) Load impedance over 50 kilohms
DIGITAL OUTPUT (OPTICAL) (optical output connector)	Wave length 660 nm Output level – 18 dBm
PHONES (stereo phone jack)	Output level max. 10 mW Load impedance 32 ohms

General

Power requirements	120V AC, 60Hz (US model) 220–230V AC, 50/60Hz (AEP, Germany model) 240V AC, 50/60Hz (UK model)
--------------------	--

Power consumption	12 W
Dimensions	Approx. 430 \times 110 \times 295 mm (w/h/d) (17 \times 4 ³ / ₈ \times 11 ⁵ / ₈ inches)
Weight	Approx. 3.7 kg (8 lbs 3 oz), net

Remote commander (RM-D597)

Remote control system	Infrared control
Power requirements	3 V DC with two batteries size AA (IEC designation R6)
Dimensions	Approx. 40 \times 20 \times 175 mm (w/h/d) (1 ⁵ / ₈ \times 1 ³ / ₁₆ \times 7 inches)
Weight	95 g (3.3 oz) Including batteries

Supplied accessories

Connecting cord (1) (2 phono plugs \leftrightarrow 2 phono plugs)
Remote commander (1)
Sony SUM-3 (NS) batteries (2)

Optional accessory

Audio Optical connecting cord POC-15

Design and specifications are subject to change without notice.



COMPACT DISC PLAYER
SONY[®]

CDP-597

SERVICE MANUAL

US Model
AEP Model
UK Model



SPECIFICATIONS

Compact disc player

Frequency response	2 Hz - 20 kHz (±0.5 dB)
Signal to noise ratio	More than 100 dB
Dynamic range	More than 80 dB
Harmonic distortion	Less than 0.005%
Channel separation	More than 100 dB

Outputs

LINE OUT (PHONO) (phono jacks)	Output level 2 V (at 60 dB/Hz) Load impedance over 10 kilohms
--------------------------------	--

LINE OUT (AMPLIFIER) (RCA jacks)	Output level max. 2 V (at 60 dB/Hz) Load impedance over 10 kilohms
----------------------------------	---

DIGITAL OUTPUT (OPTICAL) (optical output connector)	Wavelength 650 nm Output level - 10 dBm
---	--

FM/AM (stereo/stereo jacks)	Output level max. 10 dBm Load impedance 32 ohms
-----------------------------	--

General

Power requirements	100 V ac, 60 Hz (US model) 200 - 240V ac, 50/60 Hz (AEP/Germany model) 230 V ac, 50/60 Hz (UK model)
--------------------	--

Power consumption

Dimensions	Approx. 450 x 110 x 80 mm 16 9/16" x 4 3/8" x 3 1/8"
Weight	Approx. 2.7 kg (5 lb 7 1/2 oz)

Remote commander (RM-0007)

Remote control system	Infrared control
Power requirements	3 V DC with two batteries (6LR6)

Dimensions	Approx. 40 x 60 x 110 mm 1 5/8" x 2 3/8" x 4 3/8"
------------	--

Weight	80 g (2.8 oz) including batteries
--------	--------------------------------------

Supplied accessories

Connecting cord (1) (2-prong plug) - 3-prong plug)	
Remote commander (1)	
Sony SC-45 (2) (cassette tape)	

Optional accessory

Audio Output connecting cord (PC-11)	
--------------------------------------	--

Design and specifications are subject to change without notice.

COMPACT DISC PLAYER
SONY



TABLE OF CONTENTS

<u>Section</u>	<u>Title</u>	<u>Page</u>
Specifications		1
Servicing Note		2
Model Identification		2
SECTION 1. GENERAL		
1-1. Location of Controls		3
SECTION 2. DISASSEMBLY		
SECTION 3. ELECTRICAL BLOCK CHECKING		
SECTION 4. DIAGRAMS		
4-1. Block Diagram		7
4-2. Circuit Boards Location		9
4-3. Semiconductor Lead Layouts		9
4-4. IC Block Diagrams		10
4-5. Printed Wiring Boards (MAIN Section)		12
4-6. Schematic Diagram (MAIN Section)		15
4-7. Printed Wiring Boards (MD Section)		18
4-8. Schematic Diagram (MD Section)		19
SECTION 5. EXPLODED VIEWS		
5-1. General Section		21
5-2. CD Mechanism Section (CDM14-5BD8A)		23
5-3. Optical Pick-Up Block (BU-5BD8A)		24
SECTION 6. ELECTRICAL PARTS LIST		

NOTES ON HANDLING THE OPTICAL PICK-UP BLOCK OR BASE UNIT

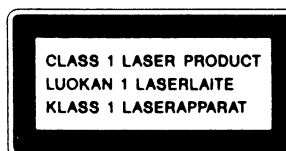
The laser diode in the optical pick-up block may suffer electrostatic breakdown because of the potential difference generated by the charged electrostatic load, etc. on clothing and the human body.

During repair, pay attention to electrostatic breakdown and also use the procedure in the printed matter which is included in the repair parts.

The flexible board is easily damaged and should be handled with care.

NOTES ON LASER DIODE EMISSION CHECK

The laser beam on this model is concentrated so as to be focused on the disc reflective surface by the objective lens in the optical pick-up block. Therefore, when checking the laser diode emission, observe from more than 30cm away from the objective lens.



This Compact Disc player is classified as a CLASS 1 LASER product. The CLASS 1 LASER PRODUCT label is located on the rear exterior.

SERVICING NOTE

1) Flexible Circuit Board Repairing

- Keep the temperature of the soldering iron around 270°C during repairing.
- Do not touch the soldering iron on the same conductor of the circuit board (within 3 times).
- Be careful not to apply force on the conductor when soldering or unsoldering.

Notes on chip component replacement

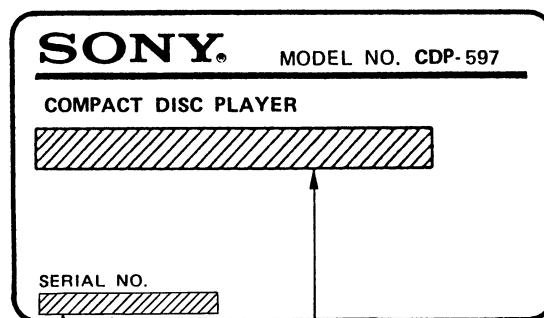
- Never reuse a disconnected chip component.
- Notice that the minus side of a tantalum capacitor may be damaged by heat.

SAFETY-RELATED COMPONENT WARNING!!

COMPONENTS IDENTIFIED BY MARK OR DOTTED LINE WITH MARK ON THE SCHEMATIC DIAGRAMS AND IN THE PARTS LIST ARE CRITICAL TO SAFE OPERATION. REPLACE THESE COMPONENTS WITH SONY PARTS WHOSE PART NUMBERS APPEAR AS SHOWN IN THIS MANUAL OR IN SUPPLEMENTS PUBLISHED BY SONY.

MODEL IDENTIFICATION

—Model Number Label—



US Model: AC: 120V~60Hz
 AEP, Germany Model: AC: 220V-230V~50/60Hz
 UK Model: AC: 240V~50/60Hz

US, AEP Model: MADE IN JAPAN
 AEP, UK, Germany Model: MADE IN FRANCE

TABLE OF CONTENTS

<u>Section</u>	<u>Title</u>	<u>Page</u>
	Specifications	1
	Service Note	2
	Model Identification	3
SECTION 1. GENERAL		
1-1	Location of Controls	3
SECTION 2. DISASSEMBLY		
SECTION 3. ELECTRICAL BLOCK CHECKING		
SECTION 4. DIAGRAMS		
4-1	Block Diagram	7
4-2	Circuit Board Location	8
4-3	Resistor/Load Labels	9
4-4	IC Block Diagram	10
4-5	Printed Wiring Boards (PWB Section)	12
4-6	Electronic Diagram (M/E Section)	13
4-7	Printed Wiring Boards (M/E Section)	15
4-8	Electronic Diagram (M/E Section)	16
SECTION 5. EXPLODED VIEW		
5-1	General Section	21
5-2	CD Mechanism Section (CDM1-5960)	23
5-3	Optical Pick-Up Block (OP-5960)	24
SECTION 6. ELECTRICAL PARTS LIST		
		25

NOTES ON HANDLING THE OPTICAL PICK-UP BLOCK OR BASE UNIT

The laser diode in the optical pick-up block may suffer electronic breakdown because of the potential difference generated by the charged electrostatic coat, oil, or dusting on the laser body.

During repair, pay attention to electrostatic breakdown and also use the procedure in the printed matter which is included in the repair parts.

The flexible board is easily damaged and should be handled with care.

NOTES ON LASER DIODE EMISSION CHECK

The laser beam of this model is connected to a photo diode on the disc reflective surface by the objective lens in the optical pick-up block. Therefore, when checking the laser diode emission, always look from the side away from the objective lens.



This Compact Disc player is classified as CLASS I LASER product.
The CLASS I LASER PRODUCT label is located on the rear panel.

SERVICING NOTE

1) Flexible Circuit Board Preparing

- Keep the temperature of the soldering iron around 270°C during reparing.
- Do not touch the soldering iron on the sensitive side of the flexible board (CDM1-7 Block).
- Be careful not to apply force on the conductor when soldering or desoldering.

Notes on chip component replacement

- Always use a disconnected chip component.
- Notice that the reverse side of a transistor capacitor may be damaged by heat.

SAFETY-RELATED COMPONENT NUMBERS

COMPONENTS IDENTIFIED BY MARK **A** ON EITHER THE MAIN MARK **A** ON THE SCHEMATIC DIAGRAM AND IN THE PARTS LIST ARE CRITICAL TO SAFE OPERATION. REPLACE THESE COMPONENTS WITH SONY PARTS WHOSE PART NUMBERS APPEAR AS SHOWN IN THE MANUAL OR IN SUPPLEMENTARY PUBLISHED BY SONY.

MODEL IDENTIFICATION

—Model Number Label—



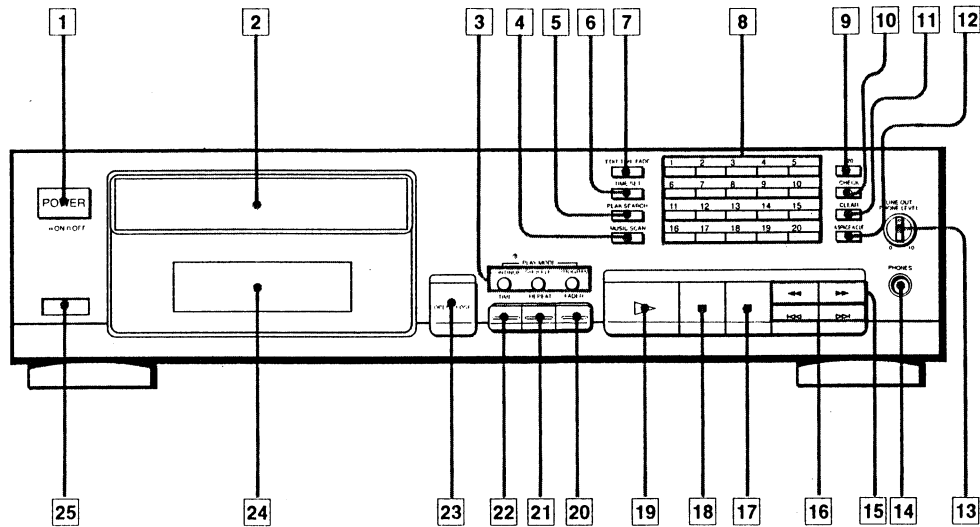
CDP-597
SER. NUMBER (Model) NO. CDP-597-0010-000000
(M Model) NO. CDP-597-000000

SL-597 (Main Model) IN JAPAN
KDF-597 (Sub Model) MADE IN FRANCE

SECTION 1 GENERAL

This section is extracted from instruction manual.

1-1. LOCATION OF CONTROLS



Refer to the pages indicated in () for details.

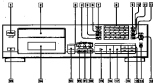
- | | |
|---|---|
| <p>1 POWER switch (page 10)</p> <p>2 Disc tray</p> <p>3 PLAY MODE buttons
CONTINUE button (page 10)
SHUFFLE button (pages 14 and 15)
PROGRAM button (pages 18 and 22)</p> <p>4 MUSIC SCAN button (page 16)</p> <p>5 PEAK SEARCH button (page 27)</p> <p>6 TIME SET button (pages 24 and 26)</p> <p>7 EDIT/TIME FADE button (pages 24 and 26)</p> <p>8 Numeric buttons (page 12)</p> <p>9 >20 (over 20) button (page 12)</p> <p>10 CHECK (program check) button (pages 18 and 23)</p> <p>11 CLEAR (program clear) button (pages 15 and 18)</p> <p>12 A.SPACE (auto space)/A.CUE (auto cue) button (pages 13 and 27)</p> <p>13 LINE OUT/PHONE LEVEL control (pages 7 and 10)</p> <p>14 PHONES jack</p> | <p>15 ◀▶▶▶ (manual search) buttons (page 12)</p> <p>16 ◀◀◀▶▶▶ AMS* buttons (pages 12 and 22)</p> <p>17 ■ (stop) button (page 10)</p> <p>18 (pause) button (page 10)</p> <p>19 ▶ (play) button (page 10)</p> <p>20 FADER (fade in/fade out) button (page 20)</p> <p>21 REPEAT button (page 17)</p> <p>22 TIME button (page 11)</p> <p>23 ▲ OPEN/CLOSE button (page 10)</p> <p>24 Display window (page 11)</p> <p>25 Remote sensor</p> |
|---|---|

* AMS is the abbreviation of Automatic Music Sensor.

SECTION 3 GENERAL

This section is omitted from
reparation manual.

11. LOCATION OF CONTROLS



Refer to the pages indicated to () for details.

- 1 POWER switch (page 10)
- 2 (see key)
- 3 PLAY (REW) buttons
- 4 CONTROL buttons (page 10)
- 5 SHUFFLE button (pages 11 and 12)
- 6 REPEAT button (pages 11 and 12)
- 7 EJECT/RECALL button (page 10)
- 8 PEAK SEARCH button (page 17)
- 9 TIME SET button (pages 14 and 15)
- 10 HPT/TMC/TACK button (pages 14 and 15)
- 11 Manual buttons (page 14)
- 12 >B (over 10) button (page 12)
- 13 CHECK (program check) button (pages 14 and 15)
- 14 CLEAR (program clear) button (pages 14 and 15)
- 15 A/B/C/D (auto search/CLEAR) (auto over) button (pages 11 and 12)
- 16 LMS (LUMINESCENCE LEVEL) control (pages 7 and 10)
- 17 PROGRAM (see)

- 18 4-4 (4-4 channel search) buttons (page 10)
- 19 2-4 (2-4 channel) buttons (pages 11 and 12)
- 20 (see key)
- 21 (see key)
- 22 (see key)
- 23 (see key)
- 24 (see key)
- 25 (see key)
- 26 (see key)
- 27 (see key)
- 28 (see key)
- 29 (see key)
- 30 (see key)
- 31 (see key)
- 32 (see key)
- 33 (see key)
- 34 (see key)
- 35 (see key)
- 36 (see key)
- 37 (see key)
- 38 (see key)
- 39 (see key)
- 40 (see key)
- 41 (see key)
- 42 (see key)
- 43 (see key)
- 44 (see key)
- 45 (see key)
- 46 (see key)
- 47 (see key)
- 48 (see key)
- 49 (see key)
- 50 (see key)
- 51 (see key)
- 52 (see key)
- 53 (see key)
- 54 (see key)
- 55 (see key)
- 56 (see key)
- 57 (see key)
- 58 (see key)
- 59 (see key)
- 60 (see key)
- 61 (see key)
- 62 (see key)
- 63 (see key)
- 64 (see key)
- 65 (see key)
- 66 (see key)
- 67 (see key)
- 68 (see key)
- 69 (see key)
- 70 (see key)
- 71 (see key)
- 72 (see key)
- 73 (see key)
- 74 (see key)
- 75 (see key)
- 76 (see key)
- 77 (see key)
- 78 (see key)
- 79 (see key)
- 80 (see key)
- 81 (see key)
- 82 (see key)
- 83 (see key)
- 84 (see key)
- 85 (see key)
- 86 (see key)
- 87 (see key)
- 88 (see key)
- 89 (see key)
- 90 (see key)
- 91 (see key)
- 92 (see key)
- 93 (see key)
- 94 (see key)
- 95 (see key)
- 96 (see key)
- 97 (see key)
- 98 (see key)
- 99 (see key)
- 100 (see key)

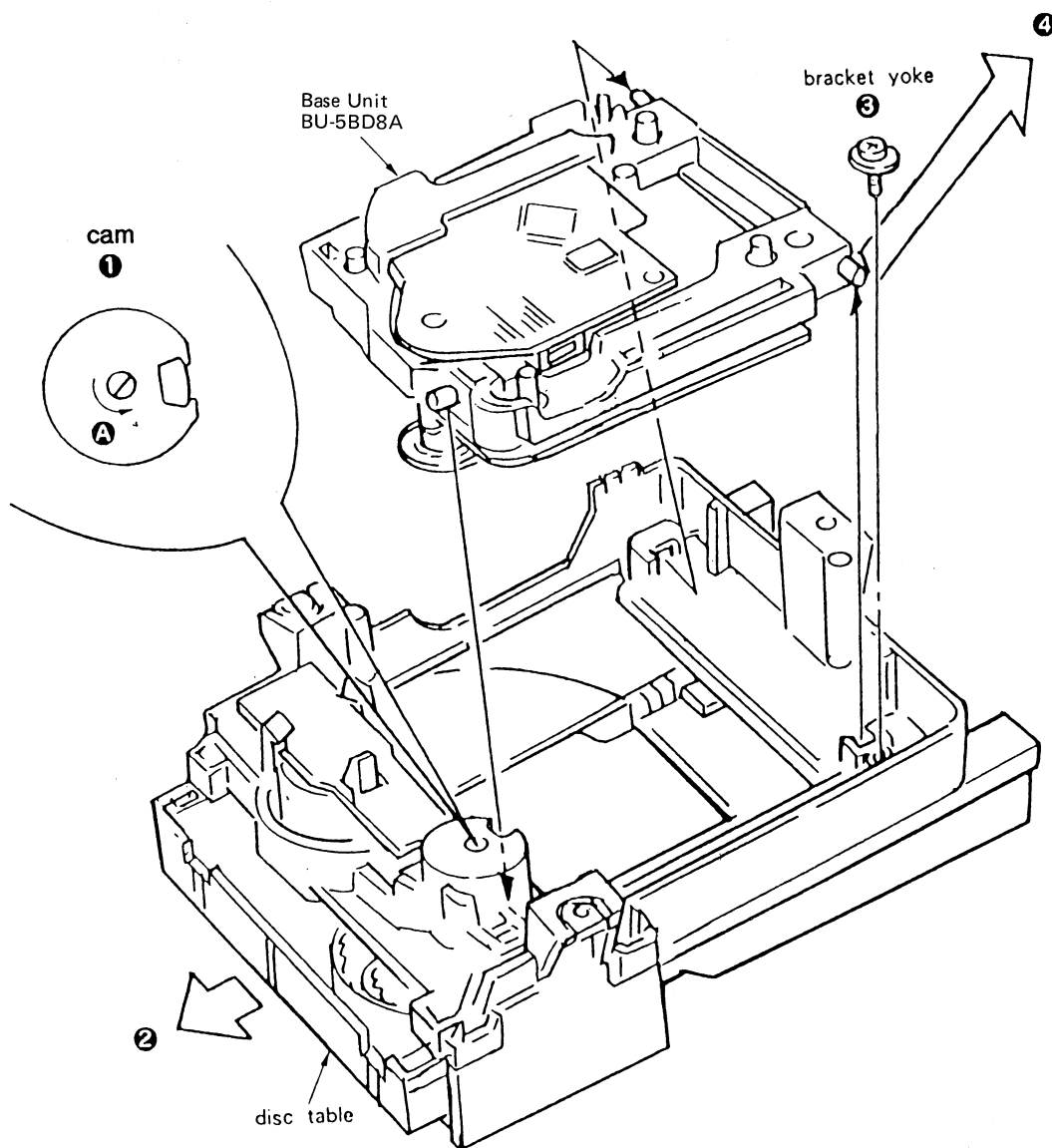
* ADD to the observation of Automatic Wash Sensor.

SECTION 2 DISASSEMBLY

Note: Follow the disassembly procedure in the numerical order given.

BASE UNIT REMOVAL

1. Remove CD mechanism from the set and turn over.
2. Turn the cam ① in the Arrow A direction by the ⊖ driver.
3. Take out disc table ②.
4. Remove bracket yoke ③.
5. Remove BU-5BD8A ④ in the Arrow ④ direction.

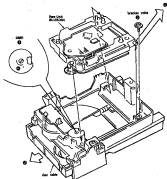


SECTION 2 DISASSEMBLY

Note: Follow the assembly procedure in the manual with glass.

BASE UNIT REMOVAL

1. Engage CD mechanism from the set and turn over.
2. Turn the set **(A)** to the ARMED **(B)** position for the CD-ROM.
3. Take out the set **(C)**.
4. Engage the set **(D)**.
5. Remove the CD-ROM **(E)** to the ARMED **(B)** position.

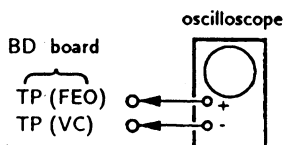


SECTION 3 ELECTRICAL BLOCK CHECKING

Note :

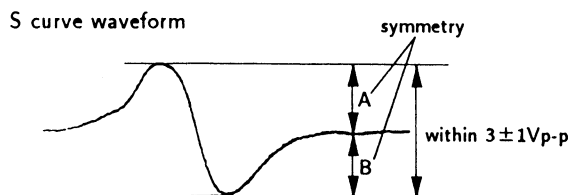
1. CD Block basically constructed to operate without adjustment. Therefore, check each item in order given.
2. Use YEDS-18 disc (3-702-101-01) unless otherwise indicated.
3. Use the oscilloscope with more than $10M\Omega$ impedance.
4. Clean an object lens by an applicator with neutral detergent when the signal level is low than specified value with the following checks.

S Curve Check



Procedure :

1. Connect oscilloscope to test point TP (FEO) on BD board.
2. Connect between test point TP (FEO) and TP (VC) by lead wire.
3. Turned Power switch on and actuate the focus serch. (actuate the focus serch when disc table is moving in and out.)
4. Check the oscilloscope waveform (S curve) is symmetrical between A and B. And confirm peak to peak level within $3 \pm 1V_{p-p}$.

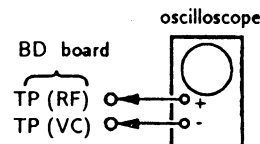


5. After check, remove the lead wire connected in step 2.

Note : • Try to measure several times to make sure that the ratio of A : B or B : A is more than 10 : 7.

- Take sweep time as long as possible and light up the brightness to obtain best waveform.

RF Level Check

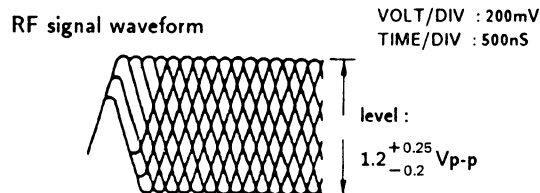


Procedure :

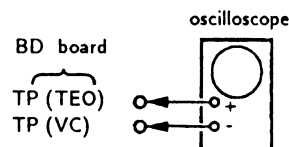
1. Connect oscilloscope to test point TP (RF) on BD board.
2. Turn Power switch on.
3. Put disc (YEDS-18) in and playback.
4. Confirm that oscilloscope waveform is clear and check RF signal level is correct or not.

Note :

Clear RF signal waveform means that the shape "◇" can be clearly distinguished at the center of the waveform.

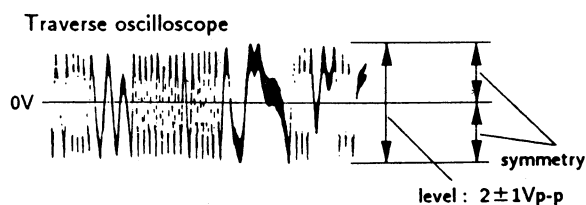


E-F Balance Check



Procedure :

1. Connect test point TP (ADJ) to ground and TP (TEI) to TP (VC) with lead wire.
2. Connect oscilloscope to test point TP (TEO) on BD board.
3. Turn Power switch on.
4. Put disc (YEDS-18) in and playback.
5. Confirm that the oscilloscope waveform is symmetrical on the top and bottom in relation to 0V, and check this level.



6. Remove the lead wire connected in step 1.

SECTION 3 ELECTRICAL BLOCK CHECKING

Notes:

1. CD Block factory constructed to operate without adjustment. Therefore, check each item in order given.
2. Use YTESB-18 die (S-700-001-01) unless otherwise indicated.
3. Use the oscilloscope with more than 100MΩ impedance.
4. Check an object free by an applicator with vertical dragagee when the signal level is low than specified value with the following checks.

3 Curve Check



Procedure:

1. Connect oscilloscope to test point TP (F8C) on ED board.
2. Connect between test point TP (F8C) and TP (F7C) by lead wire.
3. Turned Power switch on and adjust the focus knob (activate the focus knob when the table is moving to test out.)
4. Check the oscilloscope waveform (S curve) is symmetrical between A and B. And confirm peak to peak level within 52 (V)_{p-p}.

Curve waveform



1. After check, remove the lead wire connected in step 2.

- Notes:**
- Try to measure several times to make sure that the ratio of A:B or B:A is more than 20:1.
 - Take every time as long as possible and light up the brightness to obtain best waveform.

RF Level Check



Procedure:

1. Connect oscilloscope to test point TP (RF) on ED board.
2. Turn Power switch on.
3. Put die (YTESB-18) in test playback.
4. Confirm that oscilloscope waveform is clear and check RF signal level is correct or not.

Notes:

Clear RF signal waveform means that the slope "Q" can be clearly distinguished at the center of the waveform.

RF signal waveform



S-F Balance Check



Procedure:

1. Connect test point TP (A2C) to ground and TP (B2C) to TP (F7C) with lead wire.
2. Connect oscilloscope to test point TP (B2C) on ED board.
3. Turn Power switch on.
4. Put die (YTESB-18) in test playback.
5. Confirm that the oscilloscope waveform is symmetrical on the top and bottom in relation to HV, and check this level.

Trace oscilloscope

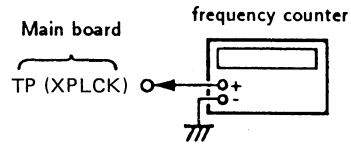


1. Remove the lead wire connected in step 1.

RF PLL Free-run Frequency Check

Procedure :

1. Connect frequency counter to test point (XPLCK) with lead wire.



2. Turn Power switch on.
3. Confirm that reading on frequency counter is
4. 3218MHz.

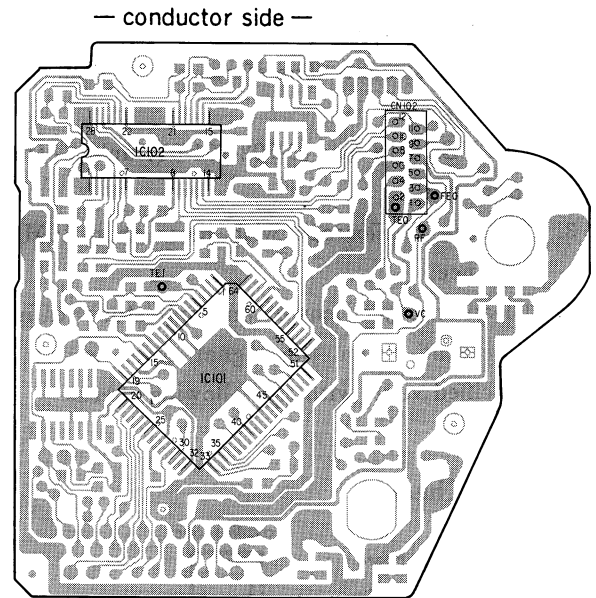
Focus/Tracking Gain

This gain has a margin, so even if it is slightly off. There is no problem.

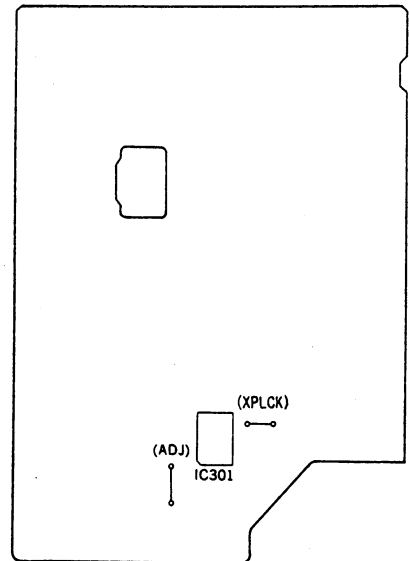
Therefore, do not perform, this adjustment.

Please note that it should be fixed to mechanical center position when you moved and do not know original position.

Adjustment Locations: [BD board]



[Main board] — Component Side —



RF PLL Free-run Frequency Check

Procedure:

1. Connect frequency counter to test point (DPLAC) with lead wire.



2. Turn Power switch on.
3. Confirm that reading on frequency counter is 4. 30.00000.

Focus/Tracking Gain

This gain has a range, so even if it is slightly off there is no problem.

Therefore, do not perform this adjustment.

Please note that it should be fixed to mechanical center position when you moved and do not know original position.

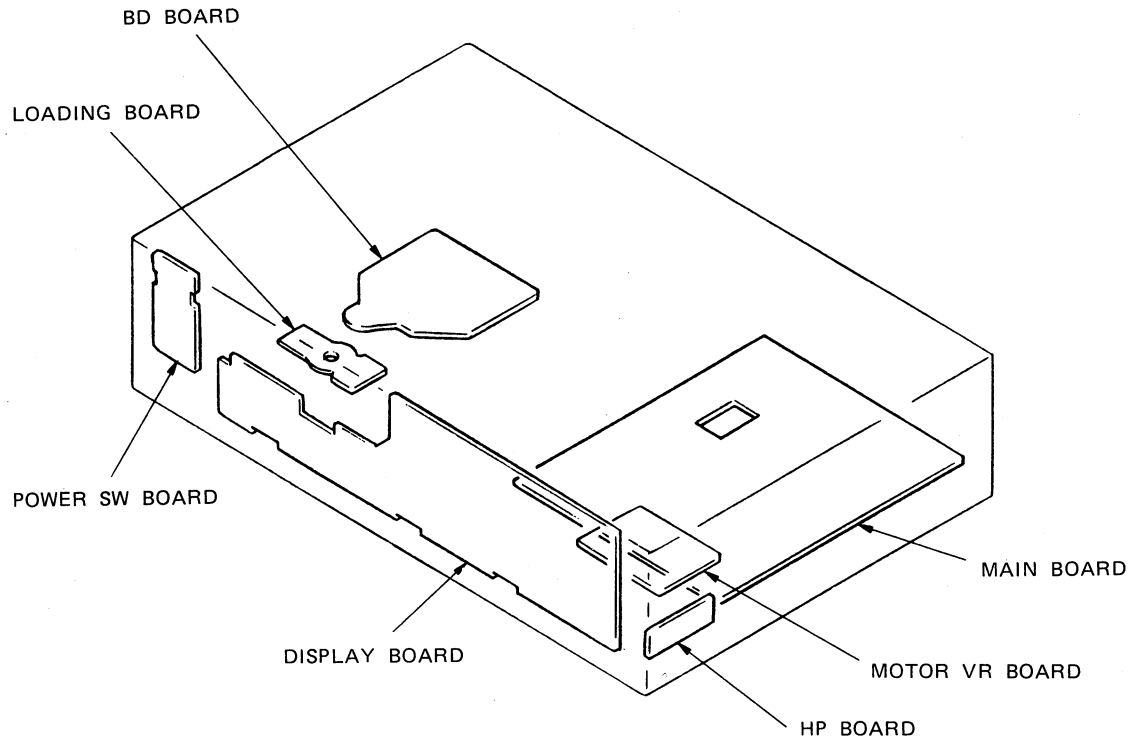
**Adjusted Location:
(RF board)**



(This board) ←Component 516→

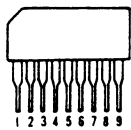


4-2. CIRCUIT BOARD LOCATION



4-3. SEMICONDUCTOR LEAD LAYOUTS

BA6208
RC4556S



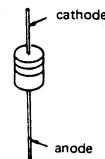
2SA473



2SC3623A-LK



RD5.6ES-B2
RD7.5ES-B2
RD9.1ES-L
1N4148M
.11ES2



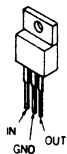
2SA933S-QR
2SC2878-AB



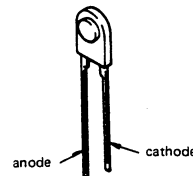
2SD774-34



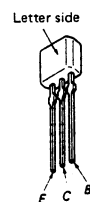
M5F7807



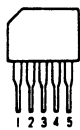
BR4361F



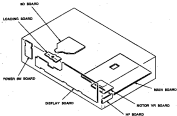
2SA1175-HFE



M5293L



4.2. CIRCUIT BOARD LOCATION

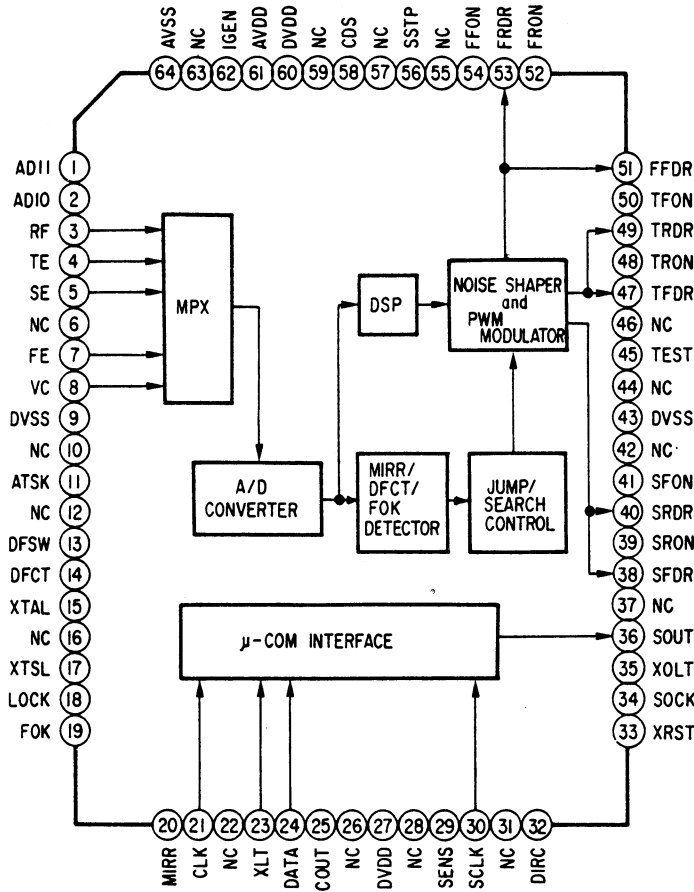


4.3. SEMICONDUCTOR LEAD LAYOUTS

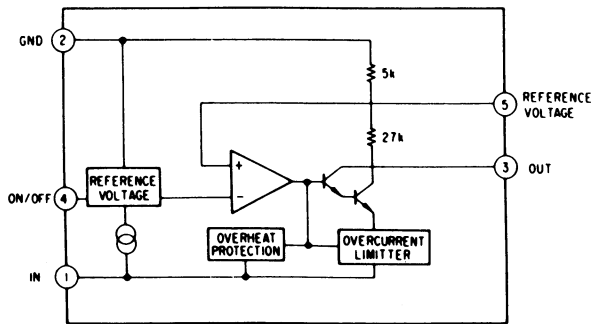


4.4. IC BLOCK DIAGRAM

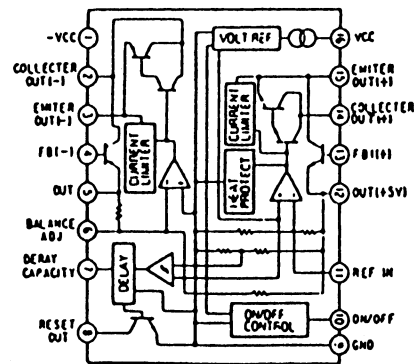
IC101 CXD2501



IC201 M5293L

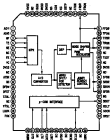


IC202 M5290P-16



4.4. IC BLOCK DIAGRAM

IC801 CIRCUIT



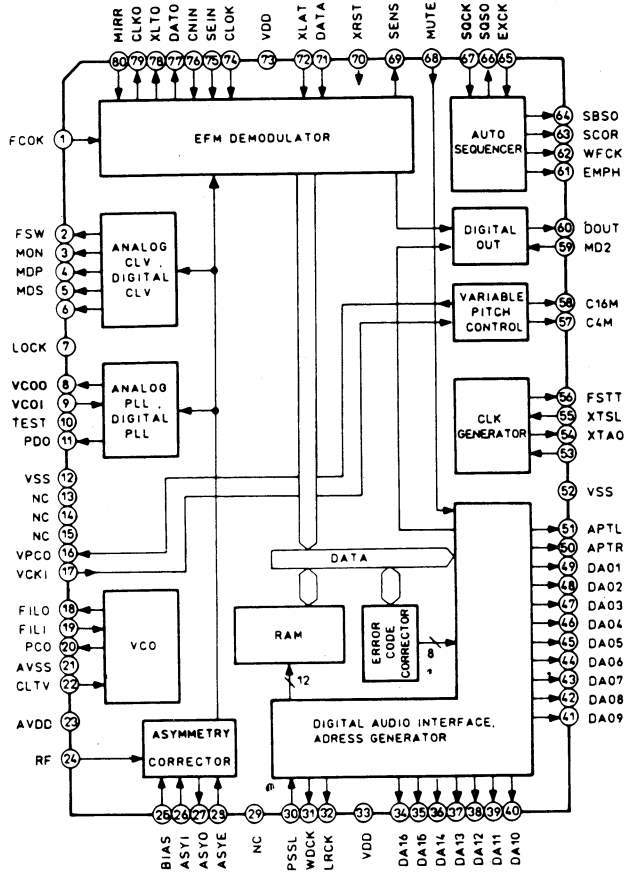
IC201 BRIDGE



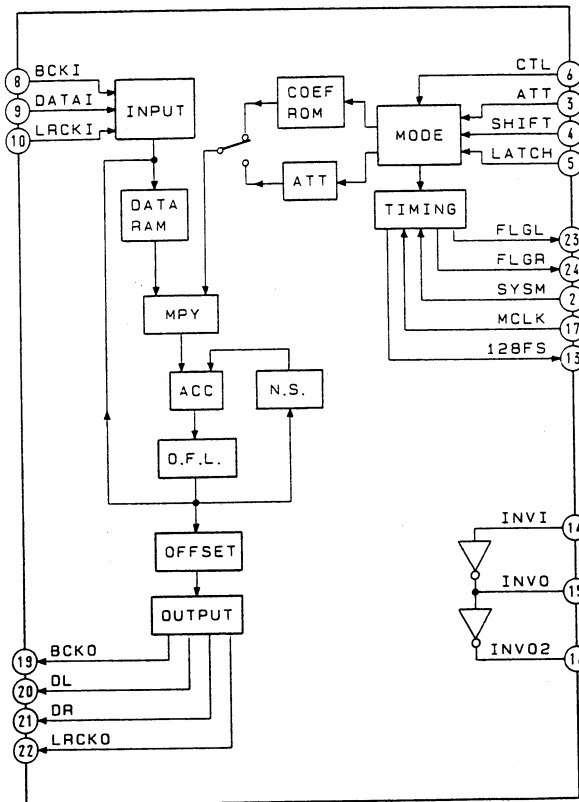
IC202 BRIDGE/14



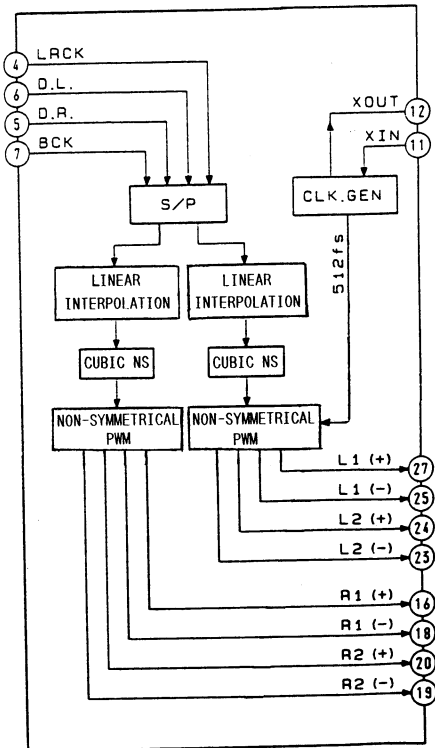
IC301 CXD2500AQ



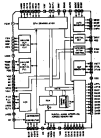
IC302 CXD2560M



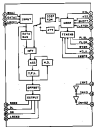
IC303 CXD2561



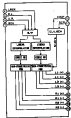
WIRE CONNECTION



WIRE CONNECTION



WIRE CONNECTION



SECTION 5 EXPLODED VIEWS

NOTE:

- -02, -03 cover mechanical parts, or they may have parts different than the original one.

Color Indication of Assembled Parts

Example:

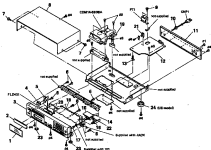
EXCEL BALANCE (MIL-STD) ... 0000

Part code	Color's code
1	








- Some marked "R" are mechanical parts they are not intended for routine service. Some draw should be considered when ordering these items.
- The mechanical parts with the reference number in the exploded view are not supplied.
- Hardware is marked for a place in the rest of the parts list.



The components identified by parts 1, 2 or 3 are for this unit only and are not for other units. They are not intended for other units.

5.1. GENERAL SECTION



Ref. No.	Part No.	Description	Remark
1	4-947-166-01	PLATE, INDICATION	
2	4-947-167-01	PANEL, LOADING (US:BLACK)	
2	4-947-167-11	PANEL, LOADING (AEP, UK, G:BLACK)	
2	4-947-167-21	PANEL, LOADING (AEP, G:SILVER)	
3	X-4941-961-1	PANEL ASSY, FRONT (BLACK:AEP, UK, G)	
3	X-4942-161-2	PANEL ASSY, FRONT (SILVER)	
3	X-4942-162-1	PANEL ASSY, FRONT (BLACK:US)	
4	4-947-034-03	BUTTON (POWER) (BLACK)	
4	4-947-034-11	BUTTON (POWER) (SILVER)	
* 5	1-641-490-11	POWER SW BOARD	
6	4-928-635-01	SCREW, +BV (2.6X8) TAPPING	
7	3-363-099-01	SCREW (CASE +3X8 TP2) (MADE IN FRANCE:BLACK)	
7	3-363-099-11	SCREW (CASE +3X8 TP2) (MADE IN FRANCE:SILVER)	
7	3-704-366-01	SCREW (CASE) (M3X8) (MADE IN JAPAN)	
* 8	4-937-817-01	CASE (BLACK)	
* 8	4-937-817-41	CASE (SILVER)	
9	4-886-821-11	SCREW, S TIGHT, +PTTWH 3X6	
* 10	3-703-244-00	BUSHING (2104), CORD	
* 11	4-947-171-12	PANEL, BACK (MADE IN JAPAN:US)	
* 11	4-947-171-31	PANEL, BACK (MADE IN JAPAN:AEP)	
* 11	4-947-841-02	PANEL, BACK (MADE IN FRANCE)	

Ref. No.	Part No.	Description	Remark
* 12	A-4649-010-A	MAIN BOARD, COMPLETE (MADE IN FRANCE)	
* 12	A-4649-173-A	MAIN BOARD, COMPLETE (MADE IN JAPAN:AEP)	
* 12	A-4649-330-A	MAIN BOARD, COMPLETE (MADE IN JAPAN:US)	
* 13	4-924-098-01	HOLDER, PC BOARD	
14	1-690-392-11	WIRE, FLAT TYPE (13 CORE)	
* 15	1-641-489-11	MOTOR VR BOARD	
* 16	1-641-491-11	HP BOARD	
17	A-4604-901-A	KNOB (VOL) ASSY (MADE IN JAPAN)	
17	A-4604-928-A	KNOB (VOL) ASSY (MADE IN FRANCE:BLACK)	
17	A-4660-088-A	KNOB (VOL) ASSY (MADE IN FRANCE:SILVER)	
* 18	A-4617-971-A	DISPLAY BOARD, COMPLETE (MADE IN JAPAN)	
* 18	A-4649-011-A	DISPLAY BOARD, COMPLETE (MADE IN FRANCE)	
19	1-575-002-11	WIRE, FLAT TYPE (22 CORE)	
* 20	4-947-170-01	HOLDER	
* 21	4-941-237-01	HEAT SINK	
* 22	4-922-980-01	HOLDER (LED)	
23	4-923-836-11	CUSHION	
24	4-943-148-32	FOOT (F58175SW) (US)	
FLD401	1-519-681-11	INDICATOR TUBE, FLUORESCENT	
 CNP1	1-574-127-31	CORD, POWER (MADE IN FRANCE:AEP, G)	
 CNP1	1-574-390-31	CORD, POWER (MADE IN FRANCE:UK)	
 CNP1	1-575-651-21	CORD, POWER (MADE IN JAPAN:AEP)	
 CNP1	1-590-836-11	CORD, POWER (MADE IN JAPAN:US)	
 PT1	1-449-921-11	TRANSFORMER, POWER (MADE IN JAPAN:US)	
 PT1	1-449-922-11	TRANSFORMER, POWER (MADE IN JAPAN:AEP)	
 PT1	1-449-925-11	TRANSFORMER, POWER (MADE IN FRANCE)	

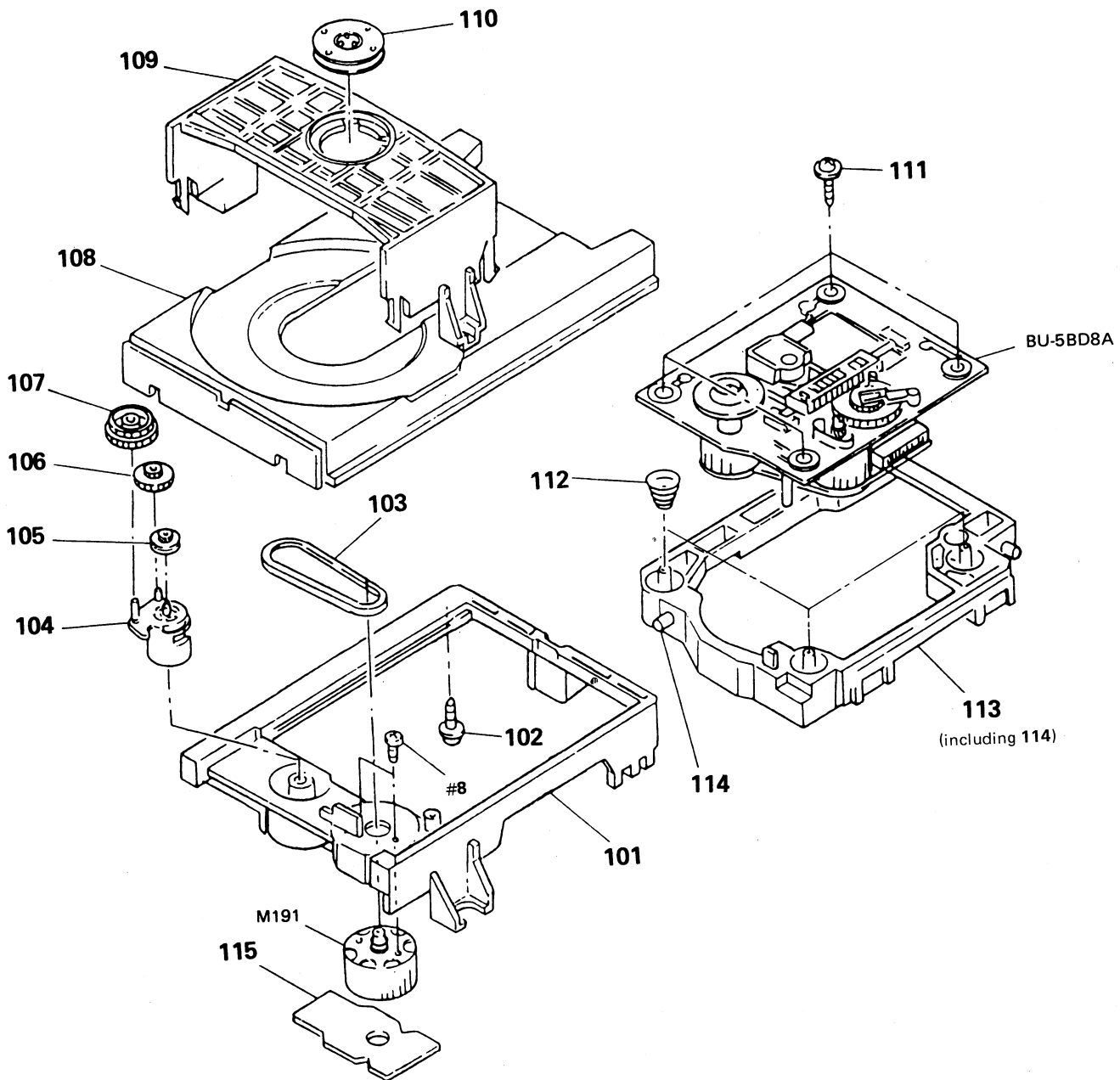
Note: The components identified by mark  or dotted line with mark  are critical for safety. Replace only with part number specified.

Ref. No.	Part No.	Part Name	Mount
1	1-407-00-01	WHEEL, DRIVE (R)	
2	1-407-00-02	WHEEL, DRIVE (FR. L&R)	
3	1-407-00-03	WHEEL, DRIVE (FR. R, DISK)	
4	1-407-00-04	WHEEL, DRIVE (FR. DISK)	
5	1-407-00-05	WHEEL, DR. (FR. DRIVE, DISK)	
6	1-407-00-06	WHEEL, DR. (FR. DRIVE)	
7	1-407-00-07	WHEEL, DR. (FR. DRIVE)	
8	1-407-00-08	WHEEL, DR. (FR. DRIVE)	
9	1-407-00-09	WHEEL, DR. (FR. DRIVE)	
10	1-407-00-10	WHEEL, DR. (FR. DRIVE)	
11	1-407-00-11	WHEEL, DR. (FR. DRIVE)	
12	1-407-00-12	WHEEL, DR. (FR. DRIVE)	
13	1-407-00-13	WHEEL, DR. (FR. DRIVE)	
14	1-407-00-14	WHEEL, DR. (FR. DRIVE)	
15	1-407-00-15	WHEEL, DR. (FR. DRIVE)	
16	1-407-00-16	WHEEL, DR. (FR. DRIVE)	
17	1-407-00-17	WHEEL, DR. (FR. DRIVE)	
18	1-407-00-18	WHEEL, DR. (FR. DRIVE)	
19	1-407-00-19	WHEEL, DR. (FR. DRIVE)	
20	1-407-00-20	WHEEL, DR. (FR. DRIVE)	
21	1-407-00-21	WHEEL, DR. (FR. DRIVE)	
22	1-407-00-22	WHEEL, DR. (FR. DRIVE)	
23	1-407-00-23	WHEEL, DR. (FR. DRIVE)	
24	1-407-00-24	WHEEL, DR. (FR. DRIVE)	
25	1-407-00-25	WHEEL, DR. (FR. DRIVE)	
26	1-407-00-26	WHEEL, DR. (FR. DRIVE)	
27	1-407-00-27	WHEEL, DR. (FR. DRIVE)	
28	1-407-00-28	WHEEL, DR. (FR. DRIVE)	
29	1-407-00-29	WHEEL, DR. (FR. DRIVE)	
30	1-407-00-30	WHEEL, DR. (FR. DRIVE)	
31	1-407-00-31	WHEEL, DR. (FR. DRIVE)	
32	1-407-00-32	WHEEL, DR. (FR. DRIVE)	
33	1-407-00-33	WHEEL, DR. (FR. DRIVE)	
34	1-407-00-34	WHEEL, DR. (FR. DRIVE)	
35	1-407-00-35	WHEEL, DR. (FR. DRIVE)	
36	1-407-00-36	WHEEL, DR. (FR. DRIVE)	
37	1-407-00-37	WHEEL, DR. (FR. DRIVE)	
38	1-407-00-38	WHEEL, DR. (FR. DRIVE)	
39	1-407-00-39	WHEEL, DR. (FR. DRIVE)	
40	1-407-00-40	WHEEL, DR. (FR. DRIVE)	
41	1-407-00-41	WHEEL, DR. (FR. DRIVE)	
42	1-407-00-42	WHEEL, DR. (FR. DRIVE)	
43	1-407-00-43	WHEEL, DR. (FR. DRIVE)	
44	1-407-00-44	WHEEL, DR. (FR. DRIVE)	
45	1-407-00-45	WHEEL, DR. (FR. DRIVE)	
46	1-407-00-46	WHEEL, DR. (FR. DRIVE)	
47	1-407-00-47	WHEEL, DR. (FR. DRIVE)	
48	1-407-00-48	WHEEL, DR. (FR. DRIVE)	
49	1-407-00-49	WHEEL, DR. (FR. DRIVE)	
50	1-407-00-50	WHEEL, DR. (FR. DRIVE)	

Ref. No.	Part No.	Part Name	Mount
1	1-407-00-01	WHEEL, DRIVE (R)	
2	1-407-00-02	WHEEL, DRIVE (FR. L&R)	
3	1-407-00-03	WHEEL, DRIVE (FR. R, DISK)	
4	1-407-00-04	WHEEL, DRIVE (FR. DISK)	
5	1-407-00-05	WHEEL, DR. (FR. DRIVE, DISK)	
6	1-407-00-06	WHEEL, DR. (FR. DRIVE)	
7	1-407-00-07	WHEEL, DR. (FR. DRIVE)	
8	1-407-00-08	WHEEL, DR. (FR. DRIVE)	
9	1-407-00-09	WHEEL, DR. (FR. DRIVE)	
10	1-407-00-10	WHEEL, DR. (FR. DRIVE)	
11	1-407-00-11	WHEEL, DR. (FR. DRIVE)	
12	1-407-00-12	WHEEL, DR. (FR. DRIVE)	
13	1-407-00-13	WHEEL, DR. (FR. DRIVE)	
14	1-407-00-14	WHEEL, DR. (FR. DRIVE)	
15	1-407-00-15	WHEEL, DR. (FR. DRIVE)	
16	1-407-00-16	WHEEL, DR. (FR. DRIVE)	
17	1-407-00-17	WHEEL, DR. (FR. DRIVE)	
18	1-407-00-18	WHEEL, DR. (FR. DRIVE)	
19	1-407-00-19	WHEEL, DR. (FR. DRIVE)	
20	1-407-00-20	WHEEL, DR. (FR. DRIVE)	
21	1-407-00-21	WHEEL, DR. (FR. DRIVE)	
22	1-407-00-22	WHEEL, DR. (FR. DRIVE)	
23	1-407-00-23	WHEEL, DR. (FR. DRIVE)	
24	1-407-00-24	WHEEL, DR. (FR. DRIVE)	
25	1-407-00-25	WHEEL, DR. (FR. DRIVE)	
26	1-407-00-26	WHEEL, DR. (FR. DRIVE)	
27	1-407-00-27	WHEEL, DR. (FR. DRIVE)	
28	1-407-00-28	WHEEL, DR. (FR. DRIVE)	
29	1-407-00-29	WHEEL, DR. (FR. DRIVE)	
30	1-407-00-30	WHEEL, DR. (FR. DRIVE)	
31	1-407-00-31	WHEEL, DR. (FR. DRIVE)	
32	1-407-00-32	WHEEL, DR. (FR. DRIVE)	
33	1-407-00-33	WHEEL, DR. (FR. DRIVE)	
34	1-407-00-34	WHEEL, DR. (FR. DRIVE)	
35	1-407-00-35	WHEEL, DR. (FR. DRIVE)	
36	1-407-00-36	WHEEL, DR. (FR. DRIVE)	
37	1-407-00-37	WHEEL, DR. (FR. DRIVE)	
38	1-407-00-38	WHEEL, DR. (FR. DRIVE)	
39	1-407-00-39	WHEEL, DR. (FR. DRIVE)	
40	1-407-00-40	WHEEL, DR. (FR. DRIVE)	
41	1-407-00-41	WHEEL, DR. (FR. DRIVE)	
42	1-407-00-42	WHEEL, DR. (FR. DRIVE)	
43	1-407-00-43	WHEEL, DR. (FR. DRIVE)	
44	1-407-00-44	WHEEL, DR. (FR. DRIVE)	
45	1-407-00-45	WHEEL, DR. (FR. DRIVE)	
46	1-407-00-46	WHEEL, DR. (FR. DRIVE)	
47	1-407-00-47	WHEEL, DR. (FR. DRIVE)	
48	1-407-00-48	WHEEL, DR. (FR. DRIVE)	
49	1-407-00-49	WHEEL, DR. (FR. DRIVE)	
50	1-407-00-50	WHEEL, DR. (FR. DRIVE)	

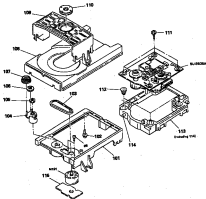
Use the appropriate identifier in each of these boxes to identify the correct part number.

5-2. CD MECHANISM SECTION (CDM14-5BD8A)



Ref. No.	Part No.	Description	Remark	Ref. No.	Part No.	Description	Remark
101	4-933-111-01	CHASSIS (MD)		109	4-933-110-01	HOLDER (MG)	
* 102	4-917-583-21	BRACKET, YOKE		* 110	1-452-538-11	MAGNET	
103	4-927-649-01	BELT		111	4-933-134-01	SCREW (+PTPH M2.6X6)	
104	4-933-109-01	CAM		112	4-948-503-01	SPRING (BU), COMPRESSION (MADE IN JAPAN)	
105	4-927-651-01	PULLEY (S)		113	4-933-129-01	HOLDER (BU)	
106	4-927-628-01	GEAR (C)		114	4-933-108-01	SHAFT (CAM)	
107	4-933-107-01	GEAR (PL)		* 115	1-632-202-11	LOADING BOARD	
108	4-933-112-01	TABLE, DISK		M191	A-4604-363-A	MOTOR (L) ASSY	

9-3. (2) MICROFORM SECTION (CONTINUED)

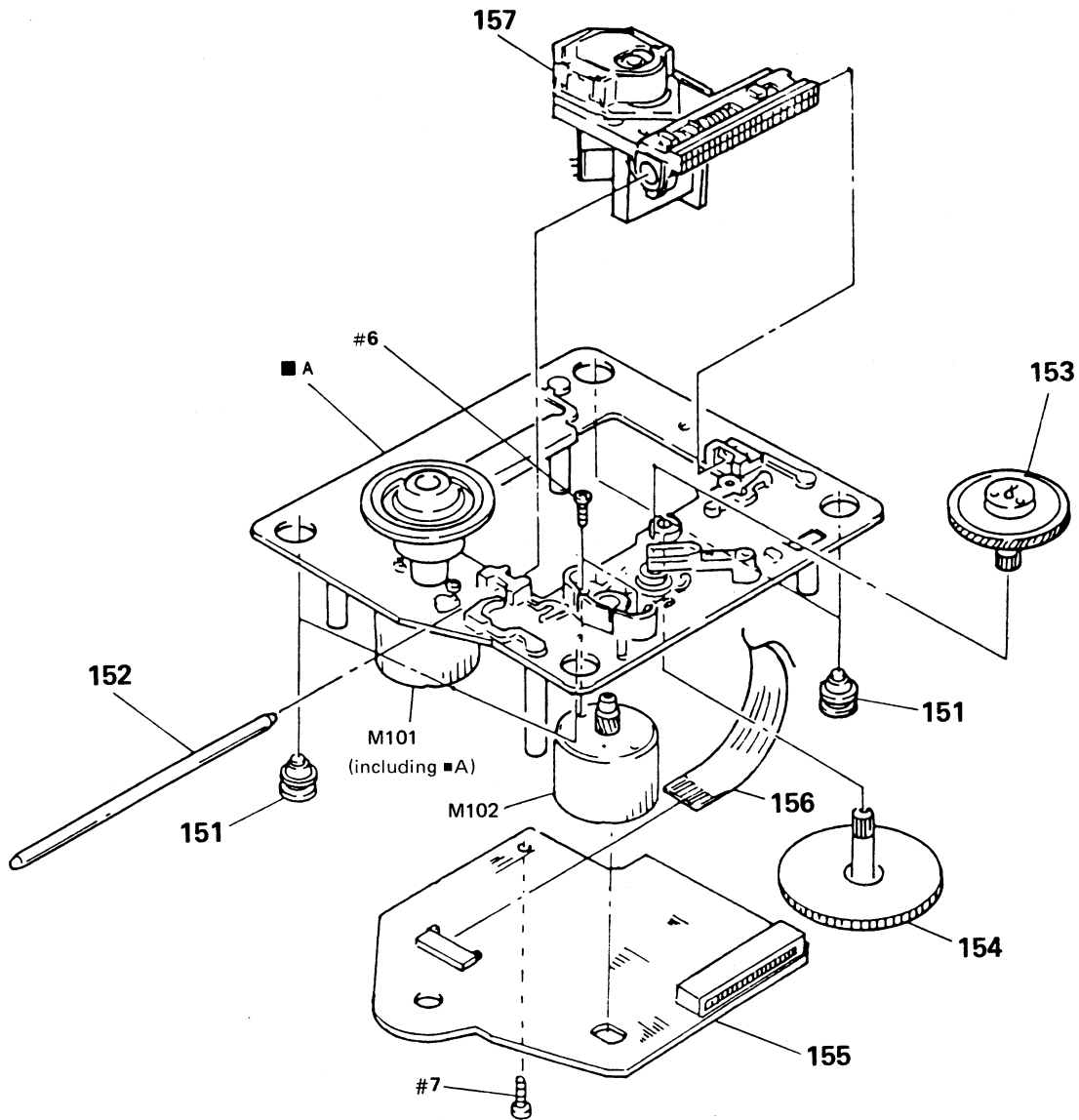


Part No.	Part No.	Description
101	4-022-110-01	COVER (TOP)
102	4-011-000-01	SCREW (TOP)
103	4-012-000-01	SCREW
104	4-000-000-01	SCREW
105	4-012-000-01	SCREW (TOP)
106	4-011-000-01	SCREW (TOP)
107	4-012-000-01	SCREW (TOP)
108	4-011-000-01	SCREW (TOP)
109	4-012-000-01	SCREW (TOP)
110	4-011-000-01	SCREW (TOP)
111	4-012-000-01	SCREW (TOP)
112	4-011-000-01	SCREW (TOP)
113	4-012-000-01	SCREW (TOP)
114	4-011-000-01	SCREW (TOP)
115	4-012-000-01	SCREW (TOP)
116	4-011-000-01	SCREW (TOP)
117	4-012-000-01	SCREW (TOP)
118	4-011-000-01	SCREW (TOP)
119	4-012-000-01	SCREW (TOP)
120	4-011-000-01	SCREW (TOP)
121	4-012-000-01	SCREW (TOP)
122	4-011-000-01	SCREW (TOP)
123	4-012-000-01	SCREW (TOP)
124	4-011-000-01	SCREW (TOP)
125	4-012-000-01	SCREW (TOP)
126	4-011-000-01	SCREW (TOP)
127	4-012-000-01	SCREW (TOP)
128	4-011-000-01	SCREW (TOP)
129	4-012-000-01	SCREW (TOP)
130	4-011-000-01	SCREW (TOP)

Mount

Part No.	Part No.	Description
100	4-022-110-01	COVER (TOP)
101	4-011-000-01	SCREW (TOP)
102	4-012-000-01	SCREW (TOP)
103	4-011-000-01	SCREW (TOP)
104	4-012-000-01	SCREW (TOP)
105	4-011-000-01	SCREW (TOP)
106	4-012-000-01	SCREW (TOP)
107	4-011-000-01	SCREW (TOP)
108	4-012-000-01	SCREW (TOP)
109	4-011-000-01	SCREW (TOP)
110	4-012-000-01	SCREW (TOP)
111	4-011-000-01	SCREW (TOP)
112	4-012-000-01	SCREW (TOP)
113	4-011-000-01	SCREW (TOP)
114	4-012-000-01	SCREW (TOP)
115	4-011-000-01	SCREW (TOP)
116	4-012-000-01	SCREW (TOP)
117	4-011-000-01	SCREW (TOP)
118	4-012-000-01	SCREW (TOP)
119	4-011-000-01	SCREW (TOP)
120	4-012-000-01	SCREW (TOP)
121	4-011-000-01	SCREW (TOP)
122	4-012-000-01	SCREW (TOP)
123	4-011-000-01	SCREW (TOP)
124	4-012-000-01	SCREW (TOP)
125	4-011-000-01	SCREW (TOP)
126	4-012-000-01	SCREW (TOP)
127	4-011-000-01	SCREW (TOP)
128	4-012-000-01	SCREW (TOP)
129	4-011-000-01	SCREW (TOP)
130	4-012-000-01	SCREW (TOP)

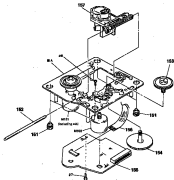
5-3. OPTICAL PICK-UP BLOCK (BU-5BD8A)



Ref. No.	Part No.	Description	Remark	Ref. No.	Part No.	Description	Remark
151	4-933-126-01	INSULATOR (A)		* 155	A-4617-986-A	BD BOARD, COMPLETE (MADE IN FRANCE)	
152	4-917-565-01	SHAFT, SLED		156	1-575-001-11	WIRE, FLAT TYPE (12 CORE)	
153	4-917-567-01	GEAR (M)		△ 157	8-848-144-11	DEVICE, OPTICAL KSS-240A	
154	4-917-564-01	GEAR (P), FLATNESS		M101	X-4917-523-3	BASE OUTSERT ASSY (SPINDLE)	
* 155	A-4617-977-A	BD BOARD, COMPLETE (MADE IN JAPAN)		M102	X-4917-504-1	MOTOR ASSY (SLED)	

Note: The components identified by mark **△** or dotted line with mark **△** are critical for safety. Replace only with part number specified.

8.3. OPTICAL PICK-UP BLOCK (DUMEDNAJ)



Ref. No.	Part No.	Description	QTY	Ref. No.	Part No.	Description	QTY
101	4-021-001-0	SCREW (S)	1	101	4-021-001-0	SCREW (S)	1
102	4-021-001-0	SCREW (S)	1	102	4-021-001-0	SCREW (S)	1
103	4-021-001-0	SCREW (S)	1	103	4-021-001-0	SCREW (S)	1
104	4-021-001-0	SCREW (S)	1	104	4-021-001-0	SCREW (S)	1
105	4-021-001-0	SCREW (S)	1	105	4-021-001-0	SCREW (S)	1
106	4-021-001-0	SCREW (S)	1	106	4-021-001-0	SCREW (S)	1
107	4-021-001-0	SCREW (S)	1	107	4-021-001-0	SCREW (S)	1
108	4-021-001-0	SCREW (S)	1	108	4-021-001-0	SCREW (S)	1
109	4-021-001-0	SCREW (S)	1	109	4-021-001-0	SCREW (S)	1

Note: The components identified by circled numbers in this diagram are not included in the standard kit. They are available as separate items.

SECTION 6 ELECTRICAL PARTS LIST

NOTE:

- Due to standardization, replacements in the parts list may be different from the parts specified in the diagrams or the components used on the set.
- -XX, -X mean standardized parts, so they may have some difference from the original one.
- RESISTORS
All resistors are in ohms
METAL: Metal-film resistor
METAL OXIDE: Metal Oxide-film resistor
F: nonflammable

- Items marked "*" are not stocked since they are seldom required for routine service. Some delay should be anticipated when ordering these items.
- SEMICONDUCTORS
In each case, μ , for example:
uA...: μ A..., uPA...: μ PA...,
uPB...: μ PB..., uPC...: μ PC...,
uPD...: μ PD...
- CAPACITORS
uF: μ F
- COILS
uH: μ H

The components identified by mark or dotted line with mark are critical for safety. Replace only with part number specified.

When indicating parts by reference number, please include the board name.

Ref. No.	Part No.	Description	Remark
*	A-4617-977-A	BD BOARD, COMPLETE (MADE IN JAPAN) *****	
*	A-4617-986-A	BD BOARD, COMPLETE (MADE IN FRANCE) *****	
< CAPACITOR >			
C101	1-163-005-11	CERAMIC CHIP 470PF	10% 50V
C102	1-163-038-00	CERAMIC CHIP 0.1uF	25V
C103	1-163-005-11	CERAMIC CHIP 470PF	10% 50V
C104	1-164-505-11	CERAMIC CHIP 2.2uF	16V
C105	1-135-155-21	TANTALUM CHIP 4.7uF	10% 16V
C106	1-164-346-11	CERAMIC CHIP 1uF	16V
C107	1-164-505-11	CERAMIC CHIP 2.2uF	16V
C108	1-164-346-11	CERAMIC CHIP 1uF	16V
C112	1-163-038-00	CERAMIC CHIP 0.1uF	25V
C151	1-163-007-11	CERAMIC CHIP 680PF	10% 50V
C152	1-163-007-11	CERAMIC CHIP 680PF	10% 50V
C153	1-163-038-00	CERAMIC CHIP 0.1uF	25V
C154	1-164-336-11	CERAMIC CHIP 0.33uF	25V
C155	1-163-007-11	CERAMIC CHIP 680PF	10% 50V
C156	1-163-007-11	CERAMIC CHIP 680PF	10% 50V
C157	1-163-037-11	CERAMIC CHIP 0.022uF	10% 25V
C158	1-163-037-11	CERAMIC CHIP 0.022uF	10% 25V
C159	1-163-023-00	CERAMIC CHIP 0.015uF	5% 50V
C160	1-163-019-00	CERAMIC CHIP 0.0068uF	10% 50V
C181	1-163-038-00	CERAMIC CHIP 0.1uF	25V
< CONNECTOR >			
CN101	1-568-796-11	SOCKET, CONNECTOR 22P	
CN102	1-568-795-11	SOCKET, CONNECTOR 12P	
CN103	1-564-721-11	PIN, CONNECTOR (SMALL TYPE) 5P	

Ref. No.	Part No.	Description	Remark
< IC >			
IC101	8-752-344-48	IC CXD2501Q	
IC102	8-759-040-80	IC BA6297FP	
IC103	8-759-040-83	IC BA6287F	
< RESISTOR >			
R101	1-216-077-00	METAL CHIP 15K 5%	1/10W
R102	1-216-097-00	METAL CHIP 100K 5%	1/10W
R103	1-216-077-00	METAL CHIP 15K 5%	1/10W
R104	1-216-085-00	METAL CHIP 33K 5%	1/10W
R105	1-216-097-00	METAL CHIP 100K 5%	1/10W
R112	1-216-049-00	METAL CHIP 1K 5%	1/10W
R113	1-216-077-00	METAL CHIP 15K 5%	1/10W
R114	1-216-077-00	METAL CHIP 15K 5%	1/10W
R117	1-216-077-00	METAL CHIP 15K 5%	1/10W
R118	1-216-077-00	METAL CHIP 15K 5%	1/10W
R121	1-216-077-00	METAL CHIP 15K 5%	1/10W
R122	1-216-077-00	METAL CHIP 15K 5%	1/10W
R151	1-216-070-00	METAL CHIP 7.5K 5%	1/10W
R152	1-216-070-00	METAL CHIP 7.5K 5%	1/10W
R153	1-216-070-00	METAL CHIP 7.5K 5%	1/10W
R154	1-216-070-00	METAL CHIP 7.5K 5%	1/10W
R155	1-216-070-00	METAL CHIP 7.5K 5%	1/10W
R156	1-216-070-00	METAL CHIP 7.5K 5%	1/10W
R157	1-216-085-00	METAL CHIP 33K 5%	1/10W
R158	1-216-076-00	METAL CHIP 13K 5%	1/10W
R159	1-216-085-00	METAL CHIP 33K 5%	1/10W
R160	1-216-081-00	METAL CHIP 22K 5%	1/10W
R161	1-216-093-00	METAL CHIP 68K 5%	1/10W
R162	1-216-085-00	METAL CHIP 33K 5%	1/10W
R163	1-216-308-00	METAL CHIP 4.7 5%	1/10W

BD

DISPLAY

Ref. No.	Part No.	Description	Remark
R181	1-216-021-00	METAL CHIP 68 5% 1/10W	
R182	1-216-021-00	METAL CHIP 68 5% 1/10W	
< SWITCH >			
S101	1-572-085-11	SWITCH, LEAF (LIMIT)	

*	A-4617-971-A	DISPLAY BOARD, COMPLETE (MADE IN JAPAN)	

*	A-4649-011-A	DISPLAY BOARD, COMPLETE (MADE IN FRANCE)	

*	4-947-170-01	HOLDER	
< CAPACITOR >			
C401	1-126-154-11	ELECT 47uF 20% 6.3V	
C402	1-161-494-00	CERAMIC 0.022uF 25V	
< CONNECTOR >			
CN401	1-535-872-11	JUMPER, FILM (WITH TERMINAL) 29P	
< DIODE >			
D401	8-719-987-63	DIODE 1N4148M (MADE IN JAPAN)	
D401	8-719-987-06	DIODE WG713A (MADE IN FRANCE)	
D402	8-719-987-63	DIODE 1N4148M (MADE IN JAPAN)	
D402	8-719-987-06	DIODE WG713A (MADE IN FRANCE)	
D403	8-719-987-63	DIODE 1N4148M (MADE IN JAPAN)	
D403	8-719-987-06	DIODE WG713A (MADE IN FRANCE)	
D404	8-719-987-63	DIODE 1N4148M (MADE IN JAPAN)	
D404	8-719-987-06	DIODE WG713A (MADE IN FRANCE)	
D405	8-719-987-63	DIODE 1N4148M (MADE IN JAPAN)	
D405	8-719-987-06	DIODE WG713A (MADE IN FRANCE)	
D406	8-719-987-63	DIODE 1N4148M (MADE IN JAPAN)	
D406	8-719-987-06	DIODE WG713A (MADE IN FRANCE)	
D407	8-719-987-63	DIODE 1N4148M (MADE IN JAPAN)	
D407	8-719-987-06	DIODE WG713A (MADE IN FRANCE)	
D408	8-719-987-63	DIODE 1N4148M (MADE IN JAPAN)	
D408	8-719-987-06	DIODE WG713A (MADE IN FRANCE)	
D409	8-719-987-63	DIODE 1N4148M (MADE IN JAPAN)	
D409	8-719-987-06	DIODE WG713A (MADE IN FRANCE)	
D410	8-719-987-63	DIODE 1N4148M (MADE IN JAPAN)	
D410	8-719-987-06	DIODE WG713A (MADE IN FRANCE)	
D411	8-719-987-63	DIODE 1N4148M (MADE IN JAPAN)	
D411	8-719-987-06	DIODE WG713A (MADE IN FRANCE)	
D412	8-719-121-24	DIODE RD9.1ES-L (MADE IN JAPAN)	
D412	8-719-921-69	DIODE MTZJ-T-77-9.1 (MADE IN FRANCE)	
< INDICATOR >			
FLD401	1-519-681-11	INDICATOR TUBE, FLUORESCENT	

Ref. No.	Part No.	Description	Remark
< IC >			
IC401	8-759-061-40	IC uPD75216ACW-C73	
< RESISTOR >			
R401	1-249-435-11	CARBON 33K 5% 1/4W	
R402	1-249-435-11	CARBON 33K 5% 1/4W	
R403	1-249-435-11	CARBON 33K 5% 1/4W	
R404	1-249-435-11	CARBON 33K 5% 1/4W	
R405	1-249-435-11	CARBON 33K 5% 1/4W	
R406	1-249-425-11	CARBON 4.7K 5% 1/4W	
R407	1-249-425-11	CARBON 4.7K 5% 1/4W	
R408	1-249-439-11	CARBON 68K 5% 1/4W	
< SWITCH >			
S401	1-554-303-21	SWITCH, TACTILE (CONTINUE)	
S402	1-554-303-21	SWITCH, TACTILE (REPEAT)	
S403	1-554-303-21	SWITCH, TACTILE	
S404	1-554-303-21	SWITCH, TACTILE	
S405	1-554-303-21	SWITCH, TACTILE (SHUFFLE)	
S406	1-554-303-21	SWITCH, TACTILE (FADER)	
S407	1-554-303-21	SWITCH, TACTILE	
S408	1-554-303-21	SWITCH, TACTILE	
S409	1-554-303-21	SWITCH, TACTILE (PROGRAM)	
S410	1-554-303-21	SWITCH, TACTILE (TIME)	
S411	1-554-303-21	SWITCH, TACTILE	
S412	1-554-303-21	SWITCH, TACTILE (OPEN/CLOSE)	
S413	1-554-303-21	SWITCH, TACTILE	
S414	1-554-303-21	SWITCH, TACTILE	
S415	1-554-303-21	SWITCH, TACTILE (EDIT/TIME FADE)	
S416	1-554-303-21	SWITCH, TACTILE (TIME SET)	
S417	1-554-303-21	SWITCH, TACTILE (PEAK SEARCH)	
S418	1-554-303-21	SWITCH, TACTILE (MUSIC SCAN)	
S419	1-554-303-21	SWITCH, TACTILE (1)	
S420	1-554-303-21	SWITCH, TACTILE (6)	
S421	1-554-303-21	SWITCH, TACTILE (11)	
S422	1-554-303-21	SWITCH, TACTILE (16)	
S423	1-554-303-21	SWITCH, TACTILE (2)	
S424	1-554-303-21	SWITCH, TACTILE (7)	
S425	1-554-303-21	SWITCH, TACTILE (12)	
S426	1-554-303-21	SWITCH, TACTILE (17)	
S427	1-554-303-21	SWITCH, TACTILE (3)	
S428	1-554-303-21	SWITCH, TACTILE (8)	
S429	1-554-303-21	SWITCH, TACTILE (13)	
S430	1-554-303-21	SWITCH, TACTILE (18)	
S431	1-554-303-21	SWITCH, TACTILE (4)	
S432	1-554-303-21	SWITCH, TACTILE (9)	
S433	1-554-303-21	SWITCH, TACTILE (14)	
S434	1-554-303-21	SWITCH, TACTILE (19)	

DISPLAY

HP

LOADING

MAIN

Ref.No.	Part No.	Description	Remark
S435	1-554-303-21	SWITCH, TACTILE (5)	
S436	1-554-303-21	SWITCH, TACTILE (10)	
S437	1-554-303-21	SWITCH, TACTILE (15)	
S438	1-554-303-21	SWITCH, TACTILE (20)	
S439	1-554-303-21	SWITCH, TACTILE (>20)	
S440	1-554-303-21	SWITCH, TACTILE (CHECK)	
S441	1-554-303-21	SWITCH, TACTILE (CLEAR)	
S442	1-554-303-21	SWITCH, TACTILE (AUTO SPACE/AUTO CUE)	
		< CRYSTAL >	
X401	1-577-358-21	VIBRATOR, CERAMIC(4MHz) (MADE IN JAPAN)	
X401	1-577-082-11	VIBRATOR, CERAMIC(4MHz) (MADE IN FRANCE)	

*	1-641-491-11	HP BOARD	

		< CAPACITOR >	
C481	1-162-294-31	CERAMIC 0.001uF 10% 50V	
C482	1-162-294-31	CERAMIC 0.001uF 10% 50V	
C483	1-164-159-11	CERAMIC 0.1uF 50V	
		< CONNECTOR >	
* CN481	1-568-941-11	PIN, CONNECTOR 3P	
		< JACK >	
J481	1-568-519-41	JACK, LARGE TYPE (PHONES)	
		< RESISTOR >	
R481	1-249-402-11	CARBON 56 5% 1/4W	
R482	1-249-402-11	CARBON 56 5% 1/4W	

*	1-632-202-11	LOADING BOARD	

		< CONNECTOR >	
* CN301	1-564-707-11	PIN, CONNECTOR (SMALL TYPE) 5P	
		< SWITCH >	
S271	1-572-086-11	SWITCH, LEAF (OUT)	
S272	1-572-086-11	SWITCH, LEAF (IN)	

*	A-4649-330-A	MAIN BOARD, COMPLETE (MADE IN JAPAN:US)	

*	A-4649-010-A	MAIN BOARD, COMPLETE (MADE IN FRANCE)	

Ref.No.	Part No.	Description	Remark
*	A-4649-173-A	MAIN BOARD, COMPLETE (MADE IN JAPAN:AEP)	

*	4-941-237-01	HEAT SINK	
	7-682-547-09	SCREW +B 3X6	
		< CAPACITOR >	
C201	1-124-572-11	ELECT 100uF 20% 63V	
C202	1-126-059-11	ELECT 10uF 20% 50V (MADE IN JAPAN)	
C202	1-124-907-11	ELECT 10uF 20% 50V (MADE IN FRANCE)	
C203	1-124-360-00	ELECT 1000uF 20% 16V (MADE IN JAPAN)	
C204	1-126-937-11	ELECT 4700uF 20% 16V (MADE IN JAPAN)	
C204	1-124-898-11	ELECT 4700uF 20% 16V (MADE IN FRANCE)	
C205	1-126-163-11	ELECT 4.7uF 20% 50V (MADE IN JAPAN)	
C205	1-124-927-11	ELECT 4.7uF 20% 100V (MADE IN FRANCE)	
C206	1-126-059-11	ELECT 10uF 20% 50V (MADE IN JAPAN)	
C206	1-124-907-11	ELECT 10uF 20% 50V (MADE IN FRANCE)	
C207	1-126-059-11	ELECT 10uF 20% 50V (MADE IN JAPAN)	
C207	1-124-907-11	ELECT 10uF 20% 50V (MADE IN FRANCE)	
C208	1-124-997-11	ELECT 470uF 20% 10V (MADE IN JAPAN)	
C208	1-124-472-11	ELECT 470uF 20% 10V (MADE IN FRANCE)	
C209	1-124-997-11	ELECT 470uF 20% 10V (MADE IN JAPAN)	
C209	1-124-472-11	ELECT 470uF 20% 10V (MADE IN FRANCE)	
C211	1-124-997-11	ELECT 470uF 20% 10V (MADE IN JAPAN)	
C211	1-124-472-11	ELECT 470uF 20% 10V (MADE IN FRANCE)	
C212	1-124-997-11	ELECT 470uF 20% 10V (MADE IN JAPAN)	
C212	1-124-472-11	ELECT 470uF 20% 10V (MADE IN FRANCE)	
C213	1-130-487-00	MYLAR 0.022uF 5% 50V	
C214	1-126-023-11	ELECT 100uF 20% 16V (MADE IN JAPAN)	
C214	1-126-101-11	ELECT 100uF 20% 16V (MADE IN FRANCE)	
C221	1-164-159-11	CERAMIC 0.1uF 50V	
C301	1-126-022-11	ELECT 47uF 20% 16V (MADE IN JAPAN)	
C301	1-124-477-11	ELECT 47uF 20% 25V (MADE IN FRANCE)	
C302	1-126-301-11	ELECT 1uF 20% 50V (MADE IN JAPAN)	
C302	1-124-903-11	ELECT 1uF 20% 50V (MADE IN FRANCE)	
C303	1-164-159-11	CERAMIC 0.1uF 50V	
C304	1-164-159-11	CERAMIC 0.1uF 50V	
C305	1-126-022-11	ELECT 47uF 20% 16V (MADE IN JAPAN)	
C305	1-124-477-11	ELECT 47uF 20% 25V (MADE IN FRANCE)	
C306	1-164-159-11	CERAMIC 0.1uF 50V	
C307	1-164-159-11	CERAMIC 0.1uF 50V	
C308	1-164-159-11	CERAMIC 0.1uF 50V	
C309	1-164-159-11	CERAMIC 0.1uF 50V	
C311	1-130-491-00	MYLAR 0.047uF 5% 50V	
C312	1-161-374-11	CERAMIC 0.0015uF 20% 50V	
C313	1-161-494-00	CERAMIC 0.022uF 25V	
C314	1-162-306-11	CERAMIC 0.01uF 20% 16V	
C315	1-126-300-11	ELECT 0.47uF 20% 50V (MADE IN JAPAN)	
C315	1-124-902-00	ELECT 0.47uF 20% 50V (MADE IN FRANCE)	
C316	1-161-494-00	CERAMIC 0.022uF 25V	

MAIN

Ref. No.	Part No.	Description	Remark	Ref. No.	Part No.	Description	Remark
C317	1-164-159-11	CERAMIC 0.1uF	50V	C392	1-164-159-11	CERAMIC 0.1uF	50V (US)
C319	1-162-282-31	CERAMIC 100PF	10% 50V	C393	1-164-159-11	CERAMIC 0.1uF	50V (US)
C320	1-130-483-00	MYLAR 0.01uF	5% 50V	C394	1-164-159-11	CERAMIC 0.1uF	50V (US)
C321	1-162-208-31	CERAMIC 24PF	5% 50V	< CONNECTOR >			
C322	1-126-022-11	ELECT 47uF 20%	16V (MADE IN JAPAN)	* CN201	1-580-230-11	PIN, CONNECTOR (PC BOARD) 3P	
C322	1-124-477-11	ELECT 47uF 20%	25V (MADE IN FRANCE)	* CN301	1-568-822-11	SOCKET, CONNECTOR 22P	
C323	1-164-159-11	CERAMIC 0.1uF	50V	* CN302	1-568-844-11	SOCKET, CONNECTOR 29P	
C324	1-164-159-11	CERAMIC 0.1uF	50V	* CN381	1-568-832-11	SOCKET, CONNECTOR 13P	
C325	1-162-205-31	CERAMIC 18PF	5% 50V	< DIODE >			
C326	1-162-205-31	CERAMIC 18PF	5% 50V	D201	8-719-200-82	DIODE 11ES2	
C327	1-161-494-00	CERAMIC 0.022uF	25V	D202	8-719-110-03	DIODE RD7.5ES-B2 (MADE IN JAPAN)	
C328	1-126-059-11	ELECT 10uF 20%	50V (MADE IN JAPAN)	D202	8-719-923-49	DIODE MTZJ-T-77-7.5 (MADE IN FRANCE)	
C328	1-124-907-11	ELECT 10uF 20%	50V (MADE IN FRANCE)	D203	8-719-200-82	DIODE 11ES2	
C329	1-126-022-11	ELECT 47uF 20%	16V (MADE IN JAPAN)	D204	8-719-200-82	DIODE 11ES2	
C329	1-124-477-11	ELECT 47uF 20%	25V (MADE IN FRANCE)	D205	8-719-200-82	DIODE 11ES2	
C331	1-161-494-00	CERAMIC 0.022uF	25V	D206	8-719-200-82	DIODE 11ES2	
C332	1-164-159-11	CERAMIC 0.1uF	50V	D208	8-719-109-89	DIODE RD5.6ES-B2	
C333	1-162-294-31	CERAMIC 0.001uF	10% 50V	D209	8-719-987-63	DIODE 1N4148M (MADE IN JAPAN)	
C351	1-126-022-11	ELECT 47uF 20%	16V (MADE IN JAPAN)	D209	8-719-987-06	DIODE WG713A (MADE IN FRANCE)	
C351	1-124-477-11	ELECT 47uF 20%	25V (MADE IN FRANCE)	D328	8-719-987-63	DIODE 1N4148M (MADE IN JAPAN)	
C352	1-164-159-11	CERAMIC 0.1uF	50V	D328	8-719-987-06	DIODE WG713A (MADE IN FRANCE)	
C353	1-126-022-11	ELECT 47uF 20%	16V (MADE IN JAPAN)	D344	8-719-987-63	DIODE 1N4148M (MADE IN JAPAN)	
C353	1-124-477-11	ELECT 47uF 20%	25V (MADE IN FRANCE)	D344	8-719-987-06	DIODE WG713A (MADE IN FRANCE)	
C354	1-161-494-00	CERAMIC 0.022uF	25V	< IC >			
C355	1-126-022-11	ELECT 47uF 20%	16V (MADE IN JAPAN)	IC201	8-759-633-42	IC M5293L	
C355	1-124-477-11	ELECT 47uF 20%	25V (MADE IN FRANCE)	IC202	8-759-630-21	IC M5290P-16	
C356	1-164-159-11	CERAMIC 0.1uF	50V	IC203	8-759-945-58	IC RC4558P	
C357	1-130-495-00	MYLAR 0.1uF	5% 50V	IC204	8-759-604-86	IC M5F7807	
C358	1-130-495-00	MYLAR 0.1uF	5% 50V	IC301	8-752-337-26	IC CXD2500AQ	
C361	1-162-280-21	CERAMIC 82PF	10% 50V	IC302	8-752-342-65	IC CXD2560M	
C362	1-162-280-21	CERAMIC 82PF	10% 50V	IC303	8-752-349-01	IC CXD2561AM	
C363	1-162-213-21	CERAMIC 39PF	10% 50V	IC306	8-759-503-91	IC TL082ACP	
C364	1-162-213-21	CERAMIC 39PF	10% 50V	IC307	8-759-945-58	IC RC4558P	
C365	1-162-213-21	CERAMIC 39PF	10% 50V	IC391	8-749-921-20	IC T-1550 (US)	
C366	1-162-213-21	CERAMIC 39PF	10% 50V	< JACK >			
C367	1-161-494-00	CERAMIC 0.022uF	25V	* J381	1-569-443-11	JACK, PIN 4P (LINE OUT)	
C368	1-161-494-00	CERAMIC 0.022uF	25V	< COIL >			
C371	1-130-479-00	MYLAR 0.0047uF	5% 50V	L305	1-408-403-00	INDUCTOR 3.3uH (US)	
C372	1-130-479-00	MYLAR 0.0047uF	5% 50V	L306	1-408-403-00	INDUCTOR 3.3uH	
C373	1-130-472-00	MYLAR 0.0012uF	5% 50V	L321	1-408-403-00	INDUCTOR 3.3uH	
C374	1-130-472-00	MYLAR 0.0012uF	5% 50V	< TRANSISTOR >			
C377	1-126-022-11	ELECT 47uF 20%	16V (MADE IN JAPAN)	Q201	8-729-119-76	TRANSISTOR 2SA1175-HFE	
C377	1-124-477-11	ELECT 47uF 20%	25V (MADE IN FRANCE)	Q202	8-729-140-96	TRANSISTOR 2SD774-34	
C378	1-126-022-11	ELECT 47uF 20%	16V (MADE IN JAPAN)	Q203	8-729-141-83	TRANSISTOR 2SB1094-LK	
C378	1-124-477-11	ELECT 47uF 20%	25V (MADE IN FRANCE)				
C379	1-130-473-00	MYLAR 0.0015uF	5% 50V				
C380	1-130-473-00	MYLAR 0.0015uF	5% 50V				
C391	1-162-286-31	CERAMIC 220PF	10% 50V (US)				

Ref. No.	Part No.	Description	Remark	Ref. No.	Part No.	Description	Remark
Q204	8-729-900-65	TRANSISTOR	DTA144ES	R324	1-249-417-11	CARBON 1K 5%	1/4W
Q205	8-729-900-89	TRANSISTOR	DTC144ES	R325	1-249-417-11	CARBON 1K 5%	1/4W
Q206	8-729-900-89	TRANSISTOR	DTC144ES	R326	1-249-417-11	CARBON 1K 5%	1/4W
Q209	8-729-281-52	TRANSISTOR	2SC1815-Y	R327	1-247-903-00	CARBON 1M 5%	1/4W
Q341	8-729-900-65	TRANSISTOR	DTA144ES	R328	1-249-429-11	CARBON 10K 5%	1/4W
Q342	8-729-900-65	TRANSISTOR	DTA144ES	R331	1-249-429-11	CARBON 10K 5%	1/4W
Q343	8-729-900-65	TRANSISTOR	DTA144ES	R332	1-249-429-11	CARBON 10K 5%	1/4W
Q344	8-729-900-89	TRANSISTOR	DTC144ES	R333	1-249-429-11	CARBON 10K 5%	1/4W
Q371	8-729-141-30	TRANSISTOR	2SC3623A-LK	R334	1-249-429-11	CARBON 10K 5%	1/4W
Q372	8-729-141-30	TRANSISTOR	2SC3623A-LK	R343	1-249-441-11	CARBON 100K 5%	1/4W
Q373	8-729-141-30	TRANSISTOR	2SC3623A-LK	R344	1-249-441-11	CARBON 100K 5%	1/4W
Q374	8-729-141-30	TRANSISTOR	2SC3623A-LK	R345	1-249-425-11	CARBON 4.7K 5%	1/4W
Q375	8-729-231-55	TRANSISTOR	2SC2878-AB	R346	1-249-425-11	CARBON 4.7K 5%	1/4W
Q376	8-729-231-55	TRANSISTOR	2SC2878-AB	R347	1-249-441-11	CARBON 100K 5%	1/4W
Q393	8-729-119-76	TRANSISTOR	2SA1175-HFE (US)	R348	1-249-429-11	CARBON 10K 5%	1/4W
< RESISTOR >				R351	1-247-869-11	CARBON 39K 5%	1/4W
R201	1-249-435-11	CARBON 33K 5%	1/4W	R352	1-247-869-11	CARBON 39K 5%	1/4W
R202	1-249-438-11	CARBON 56K 5%	1/4W	R353	1-247-869-11	CARBON 39K 5%	1/4W
R203	1-249-429-11	CARBON 10K 5%	1/4W	R354	1-247-869-11	CARBON 39K 5%	1/4W
R204	1-249-425-11	CARBON 4.7K 5%	1/4W	R355	1-247-869-11	CARBON 39K 5%	1/4W
R205	1-249-425-11	CARBON 4.7K 5%	1/4W	R356	1-247-869-11	CARBON 39K 5%	1/4W
R208	1-249-423-11	CARBON 3.3K 5%	1/4W	R357	1-247-869-11	CARBON 39K 5%	1/4W
R209	1-249-413-11	CARBON 470 5%	1/4W	R358	1-247-869-11	CARBON 39K 5%	1/4W
R210	1-249-429-11	CARBON 10K 5%	1/4W	R361	1-247-859-11	CARBON 15K 5%	1/4W
R211	1-249-410-11	CARBON 270 5%	1/4W	R362	1-247-859-11	CARBON 15K 5%	1/4W
R213	1-249-417-11	CARBON 1K 5%	1/4W	R363	1-247-859-11	CARBON 15K 5%	1/4W
R214	1-249-417-11	CARBON 1K 5%	1/4W	R364	1-247-859-11	CARBON 15K 5%	1/4W
R301	1-249-417-11	CARBON 1K 5%	1/4W	R365	1-247-873-11	CARBON 56K 5%	1/4W
R302	1-249-417-11	CARBON 1K 5%	1/4W	R366	1-247-873-11	CARBON 56K 5%	1/4W
R303	1-249-421-11	CARBON 2.2K 5%	1/4W	R367	1-247-873-11	CARBON 56K 5%	1/4W
R304	1-249-417-11	CARBON 1K 5%	1/4W	R368	1-247-873-11	CARBON 56K 5%	1/4W
R305	1-249-411-11	CARBON 330 5%	1/4W (US)	R369	1-249-419-11	CARBON 1.5K 5%	1/4W
R306	1-249-413-11	CARBON 470 5%	1/4W	R370	1-249-419-11	CARBON 1.5K 5%	1/4W
R309	1-249-405-11	CARBON 100 5%	1/4W	R371	1-249-419-11	CARBON 1.5K 5%	1/4W
R311	1-249-423-11	CARBON 3.3K 5%	1/4W	R372	1-249-419-11	CARBON 1.5K 5%	1/4W
R312	1-249-429-11	CARBON 10K 5%	1/4W	R373	1-247-887-00	CARBON 220K 5%	1/4W
R313	1-249-423-11	CARBON 3.3K 5%	1/4W	R374	1-247-887-00	CARBON 220K 5%	1/4W
R314	1-249-429-11	CARBON 10K 5%	1/4W	R375	1-249-409-11	CARBON 220 5%	1/4W
R315	1-249-417-11	CARBON 1K 5%	1/4W	R376	1-249-409-11	CARBON 220 5%	1/4W
R316	1-249-417-11	CARBON 1K 5%	1/4W	R377	1-249-409-11	CARBON 220 5%	1/4W
R317	1-249-419-11	CARBON 1.5K 5%	1/4W	R378	1-249-409-11	CARBON 220 5%	1/4W
R318	1-249-441-11	CARBON 100K 5%	1/4W	R379	1-249-425-11	CARBON 4.7K 5%	1/4W
R319	1-247-903-00	CARBON 1M 5%	1/4W	R380	1-249-425-11	CARBON 4.7K 5%	1/4W
R320	1-249-417-11	CARBON 1K 5%	1/4W	R381	1-249-425-11	CARBON 4.7K 5%	1/4W
R321	1-249-417-11	CARBON 1K 5%	1/4W	R382	1-249-425-11	CARBON 4.7K 5%	1/4W
R322	1-249-417-11	CARBON 1K 5%	1/4W	R383	1-249-413-11	CARBON 470 5%	1/4W
R323	1-249-417-11	CARBON 1K 5%	1/4W	R384	1-249-413-11	CARBON 470 5%	1/4W
				R385	1-249-393-11	CARBON 10 5%	1/4W
				R386	1-249-393-11	CARBON 10 5%	1/4W

MAIN

MOTOR VR

POWER SW

Ref. No.	Part No.	Description	Remark
R389	1-249-413-11	CARBON 470 5% 1/4W	
R390	1-249-413-11	CARBON 470 5% 1/4W	
R392	1-249-405-11	CARBON 100 5% 1/4W (US)	
R393	1-249-406-11	CARBON 120 5% 1/4W (US)	
R394	1-249-435-11	CARBON 33K 5% 1/4W (US)	
< CRYSTAL >			
X327	1-579-314-11	VIBRATOR, CRYSTAL (22.5MHz)	

*	1-641-489-11	MOTOR VR BOARD	

*	4-922-980-01	HOLDER (LED)	
< CAPACITOR >			
C451	1-124-994-11	ELECT 100uF 20% 10V (MADE IN JAPAN)	
C451	1-124-443-00	ELECT 100uF 20% 10V (MADE IN FRANCE)	
C452	1-124-994-11	ELECT 100uF 20% 10V (MADE IN JAPAN)	
C452	1-124-443-00	ELECT 100uF 20% 10V (MADE IN FRANCE)	
C471	1-124-994-11	ELECT 100uF 20% 10V (MADE IN JAPAN)	
C471	1-124-443-00	ELECT 100uF 20% 10V (MADE IN FRANCE)	
C472	1-124-277-11	ELECT 4.7uF 20% 35V	
< CONNECTOR >			
* CN451	1-568-832-11	SOCKET, CONNECTOR 13P	
* CN472	1-568-941-11	PIN, CONNECTOR 3P	
< DIODE >			
D471	8-719-970-49	DIODE BR4361F	
< IC >			
IC451	8-759-981-89	IC RC4556S	
IC471	8-759-962-08	IC BA6208	
< RESISTOR >			
R451	1-249-435-11	CARBON 33K 5% 1/4W	
R452	1-249-435-11	CARBON 33K 5% 1/4W	
R453	1-249-432-11	CARBON 18K 5% 1/4W	
R454	1-249-432-11	CARBON 18K 5% 1/4W	
R455	1-249-422-11	CARBON 2.7K 5% 1/4W	
R456	1-249-422-11	CARBON 2.7K 5% 1/4W	
R457	1-249-429-11	CARBON 10K 5% 1/4W	
R458	1-249-429-11	CARBON 10K 5% 1/4W	
R461	1-249-399-11	CARBON 33 5% 1/4W	
R462	1-249-399-11	CARBON 33 5% 1/4W	
R471	1-249-411-11	CARBON 330 5% 1/4W	
R472	1-249-417-11	CARBON 1K 5% 1/4W	
R473	1-249-417-11	CARBON 1K 5% 1/4W	

Ref. No.	Part No.	Description	Remark
< VARIABLE RESISTOR >			
RV451	1-238-974-11	RES, VAR, CARBON 10K/10K (LINE OUT/PHONE LEVEL)	

*	1-641-490-11	POWER SW BOARD	

< CAPACITOR >			
C403	1-161-494-00	CERAMIC 0.022uF	25V
< CONNECTOR >			
* CN404	1-568-955-11	PIN, CONNECTOR 6P	
< IC >			
IC402	8-749-922-36	IC GPIU50XB	
< SWITCH >			
S491	1-554-118-00	SWITCH, PUSH (1 KEY) (POWER)	

MISCELLANEOUS			

* 110	1-452-538-11	MAGNET	
14	1-690-392-11	WIRE, FLAT TYPE (13 CORE)	
156	1-575-001-11	WIRE, FLAT TYPE (12 CORE)	
157	8-848-144-11	DEVICE, OPTICAL KSS-240A	
19	1-575-002-11	WIRE, FLAT TYPE (22 CORE)	
▲	CNP1	1-574-127-31	CORD, POWER (MADE IN FRANCE:AEP,G)
▲	CNP1	1-574-390-31	CORD, POWER (MADE IN FRANCE:UK)
▲	CNP1	1-575-651-21	CORD, POWER (MADE IN JAPAN:AEP)
▲	CNP1	1-590-836-11	CORD, POWER (MADE IN JAPAN:US)
M101	X-4917-523-3	BASE OUTSERT ASSY (SPINDLE)	
M102	X-4917-504-1	MOTOR ASSY (SLED)	
M191	A-4604-363-A	MOTOR (L) ASSY	
▲	PT1	1-449-921-11	TRANSFORMER, POWER (MADE IN JAPAN:US)
▲	PT1	1-449-922-11	TRANSFORMER, POWER (MADE IN JAPAN:AEP)
▲	PT1	1-449-925-11	TRANSFORMER, POWER (MADE IN FRANCE)

ACCESSORIES & PACKING MATERIALS			

1-465-867-11 REMOTE COMMANDER (RM-D597)			
1-558-271-11 CORD, CONNECTION (MADE IN FRANCE)			
1-559-533-11 CORD, CONNECTION (MADE IN JAPAN)			
2-181-754-01 COVER, BATTERY			

Note: The components identified by mark ▲ or dotted line with mark ▲ are critical for safety. Replace only with part number specified.

MAIN MOTOR VR POWER SW

Part No.	Part No.	Description	QTY	UNIT	Notes
888	1-000-00-11	WASHER	20	EA	
889	1-000-00-12	WASHER	20	EA	
890	1-000-00-13	WASHER	20	EA	
891	1-000-00-14	WASHER	20	EA	
892	1-000-00-15	WASHER	20	EA	
* (GROUP 2)					
893	1-000-00-16	WASHER, CENTRAL, DELTA			
* (GROUP 3)					
900	1-000-00-21	WASHER, 1/2" DIA			
* (GROUP 4)					
901	1-000-00-30	WASHER, 1/2" DIA			
* (GROUP 5)					
902	1-000-00-40	WASHER, 1/2" DIA			
903	1-000-00-41	WASHER, 1/2" DIA			
904	1-000-00-42	WASHER, 1/2" DIA			
905	1-000-00-43	WASHER, 1/2" DIA			
906	1-000-00-44	WASHER, 1/2" DIA			
907	1-000-00-45	WASHER, 1/2" DIA			
908	1-000-00-46	WASHER, 1/2" DIA			
909	1-000-00-47	WASHER, 1/2" DIA			
* (GROUP 6)					
910	1-000-00-50	WASHER, 1/2" DIA			
911	1-000-00-51	WASHER, 1/2" DIA			
* (GROUP 7)					
912	1-000-00-60	WASHER, 1/2" DIA			
* (GROUP 8)					
913	1-000-00-70	WASHER, 1/2" DIA			
914	1-000-00-80	WASHER, 1/2" DIA			
* (GROUP 9)					
915	1-000-00-90	WASHER, 1/2" DIA			
916	1-000-00-91	WASHER, 1/2" DIA			
917	1-000-00-92	WASHER, 1/2" DIA			
918	1-000-00-93	WASHER, 1/2" DIA			
919	1-000-00-94	WASHER, 1/2" DIA			
920	1-000-00-95	WASHER, 1/2" DIA			
921	1-000-00-96	WASHER, 1/2" DIA			
922	1-000-00-97	WASHER, 1/2" DIA			
923	1-000-00-98	WASHER, 1/2" DIA			
924	1-000-00-99	WASHER, 1/2" DIA			

Part No.	Part No.	Description	QTY	UNIT	Notes
* (GROUP 10)					
925	1-000-00-101	WASHER, 1/2" DIA			
* (GROUP 11)					
926	1-000-00-110	WASHER, 1/2" DIA			
* (GROUP 12)					
927	1-000-00-120	WASHER, 1/2" DIA			
* (GROUP 13)					
928	1-000-00-130	WASHER, 1/2" DIA			
* (GROUP 14)					
929	1-000-00-140	WASHER, 1/2" DIA			
* (GROUP 15)					
930	1-000-00-150	WASHER, 1/2" DIA			
* (GROUP 16)					
931	1-000-00-160	WASHER, 1/2" DIA			
* (GROUP 17)					
932	1-000-00-170	WASHER, 1/2" DIA			
* (GROUP 18)					
933	1-000-00-180	WASHER, 1/2" DIA			
* (GROUP 19)					
934	1-000-00-190	WASHER, 1/2" DIA			
* (GROUP 20)					
935	1-000-00-200	WASHER, 1/2" DIA			
* (GROUP 21)					
936	1-000-00-210	WASHER, 1/2" DIA			
* (GROUP 22)					
937	1-000-00-220	WASHER, 1/2" DIA			
* (GROUP 23)					
938	1-000-00-230	WASHER, 1/2" DIA			
* (GROUP 24)					
939	1-000-00-240	WASHER, 1/2" DIA			
* (GROUP 25)					
940	1-000-00-250	WASHER, 1/2" DIA			
* (GROUP 26)					
941	1-000-00-260	WASHER, 1/2" DIA			
* (GROUP 27)					
942	1-000-00-270	WASHER, 1/2" DIA			
* (GROUP 28)					
943	1-000-00-280	WASHER, 1/2" DIA			
* (GROUP 29)					
944	1-000-00-290	WASHER, 1/2" DIA			
* (GROUP 30)					
945	1-000-00-300	WASHER, 1/2" DIA			
* (GROUP 31)					
946	1-000-00-310	WASHER, 1/2" DIA			
* (GROUP 32)					
947	1-000-00-320	WASHER, 1/2" DIA			
* (GROUP 33)					
948	1-000-00-330	WASHER, 1/2" DIA			
* (GROUP 34)					
949	1-000-00-340	WASHER, 1/2" DIA			
* (GROUP 35)					
950	1-000-00-350	WASHER, 1/2" DIA			
* (GROUP 36)					
951	1-000-00-360	WASHER, 1/2" DIA			
* (GROUP 37)					
952	1-000-00-370	WASHER, 1/2" DIA			
* (GROUP 38)					
953	1-000-00-380	WASHER, 1/2" DIA			
* (GROUP 39)					
954	1-000-00-390	WASHER, 1/2" DIA			
* (GROUP 40)					
955	1-000-00-400	WASHER, 1/2" DIA			
* (GROUP 41)					
956	1-000-00-410	WASHER, 1/2" DIA			
* (GROUP 42)					
957	1-000-00-420	WASHER, 1/2" DIA			
* (GROUP 43)					
958	1-000-00-430	WASHER, 1/2" DIA			
* (GROUP 44)					
959	1-000-00-440	WASHER, 1/2" DIA			
* (GROUP 45)					
960	1-000-00-450	WASHER, 1/2" DIA			
* (GROUP 46)					
961	1-000-00-460	WASHER, 1/2" DIA			
* (GROUP 47)					
962	1-000-00-470	WASHER, 1/2" DIA			
* (GROUP 48)					
963	1-000-00-480	WASHER, 1/2" DIA			
* (GROUP 49)					
964	1-000-00-490	WASHER, 1/2" DIA			
* (GROUP 50)					

Notes: The components identified by circled numbers are not to be used on any other model. See also the parts manual for the appropriate quantity.

Ref. No.	Part No.	Description	Remark
	3-753-907-11	MANUAL, INSTRUCTION (MADE IN JAPAN:AEP) (ENGLISH, FRENCH, SPANISH, PORTUGUESE)	
	3-753-907-21	MANUAL, INSTRUCTION (MADE IN JAPAN:US) (ENGLISH)	
	3-753-907-41	MANUAL, INSTRUCTION (MADE IN JAPAN:AEP) (GERMAN, DUTCH, SWEDISH, ITALIAN)	
	3-753-907-51	MANUAL, INSTRUCTION (MADE IN FRANCE:AEP, UK) (ENGLISH, FRENCH, SPANISH, PORTUGUESE)	
	3-753-907-61	MANUAL, INSTRUCTION (MADE IN FRANCE:AEP) (GERMAN, DUTCH, SWEDISH, ITALIAN)	
	3-753-907-81	MANUAL, INSTRUCTION (MADE IN FRANCE:G) (GERMAN)	
*	4-941-548-01	LABEL, CLASS 1 (EXCEPT US)	
*	4-941-925-01	CUSHION	
*	4-948-308-11	INDIVIDUAL CARTON (MADE IN JAPAN)	
*	4-948-881-02	INDIVIDUAL CARTON (MADE IN FRANCE)	

HARDWARE LIST

#1	7-685-646-79	SCREW +BVTP	3X8	TYPE2 N-S
#2	7-685-647-79	SCREW +BVTP	3X10	TYPE2 N-S
#3	7-682-548-04	SCREW +BVTT	3X8	(S)
#4	7-682-548-09	SCREW +BVTT	3X8	(S)
#5	7-682-547-09	SCREW +B	3X6	
#6	7-621-255-15	SCREW +P	2X3	
#7	7-685-134-19	SCREW +BTP	2.6X8	TYPE2 N-S
#8	7-621-775-10	SCREW +B	2.6X4	

Ref. No.	Part No.	Description	Amount
	1-102-001-10	WARRANT, SERVICE ON ROAD IN APPROXIMATE COUNCIL BL. TOWNSHIP, 1/2000-REPAIRED	
	1-102-001-10	WARRANT, SERVICE ON ROAD IN APPROXIMATE COUNCIL BL.	
	1-102-001-10	WARRANT, SERVICE ON ROAD IN APPROXIMATE COUNCIL BL. TOWNSHIP, 1/2000-REPAIRED	
	1-102-001-10	WARRANT, SERVICE ON	
		(ROAD IN APPROXIMATE COUNCIL BL. TOWNSHIP, 1/2000-REPAIRED)	
	1-102-001-10	WARRANT, SERVICE ON ROAD IN APPROXIMATE COUNCIL BL. TOWNSHIP, 1/2000-REPAIRED	
	1-102-001-10	WARRANT, SERVICE ON ROAD IN APPROXIMATE (ROAD)	
4	4-000-400-01	LABOR, CLASS 1 (COURT USE)	
4	4-000-400-01	LABOR	
4	4-000-000-11	TRAVEL EXP. (STATE ROAD IN ROAD)	
4	4-000-000-10	TRAVEL EXP. (STATE ROAD IN ROAD)	

HARDWARE LIST

01	1-000-000-10	ROAD +017	000	TRUCK 1-1
02	1-000-000-10	ROAD +017	000	TRUCK 1-1
03	1-000-000-10	ROAD +017	000	TR
04	1-000-000-10	ROAD +017	000	TR
05	1-000-000-10	ROAD +1,000		
06	1-000-000-10	ROAD +1	000	
07	1-000-000-10	ROAD +017	0,000	TRUCK 1-1
08	1-000-000-10	ROAD +1,000		

